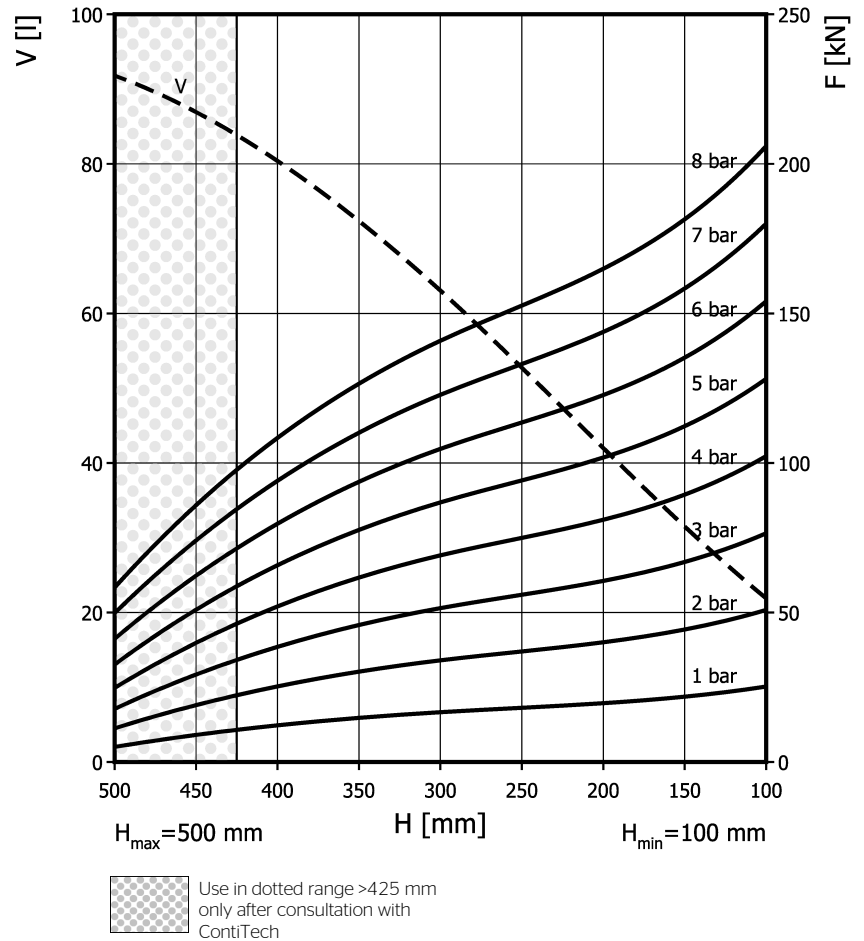
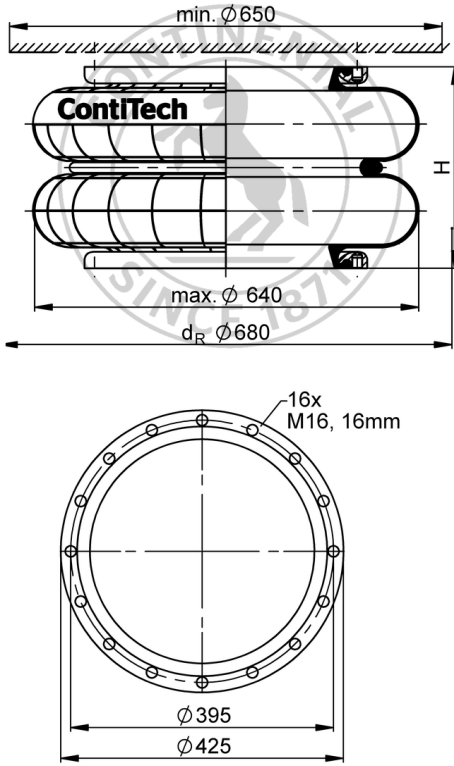


FD 1730-40 RI

Double Convolution Air Actuator



Purchase order data

Type	Order No.
Rubber bellows only	72730
with aluminium bead rings	2682898002

Additional types on request

Technical data

Min. pressure	0 bar
Return force to min height	≤ 400 N
Overall weight	14.2 kg

Pneumatic application - static characteristic values

Force F [kN]		3	4	5	6	7	8	Vol. V [l]
Pressure p [bar]	450	29.6	40.3	51.5	62.8	74.6	86.3	86
	350	45.7	61.6	77.5	93.7	110	127	71
	250	56.2	75.3	94.5	114	133	153	52
	150	67.3	89.9	113	136	159	183	31



Service instructions
M16: max. 70 Nm

Measuring procedure: Room temperature / Force-height-data quasistatic / Dynamic data at 1 Hz