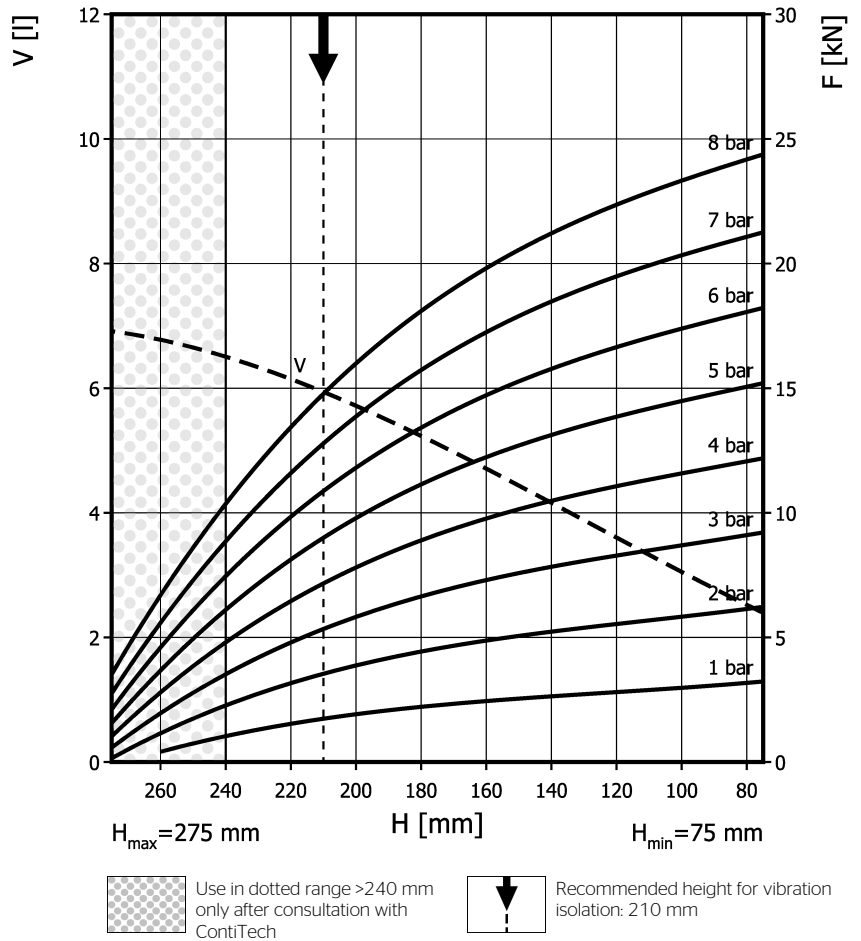
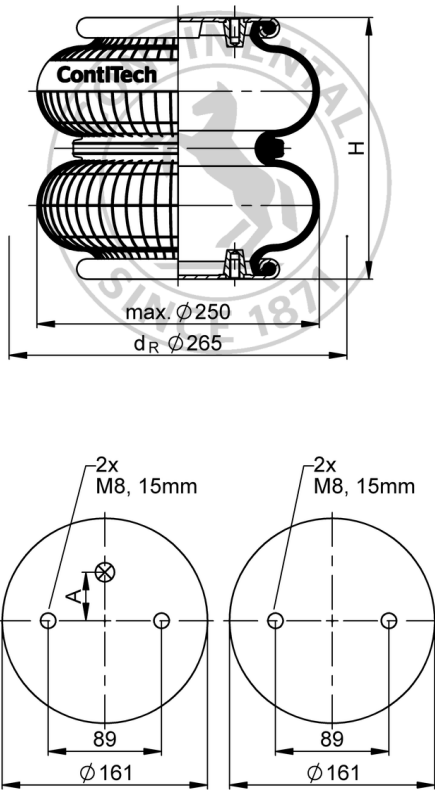


FD 200-19 CI

Double Convolution Air Actuator



Use in dotted range >240 mm only after consultation with ContiTech

Recommended height for vibration isolation: 210 mm

Purchase order data

Type	Order No.
Rubber bellows only	60508
with crimped plates, G1/4 air inlet A = 44.5 mm excentrical	60336
with crimped plates, G3/4 air inlet A = 38.1 mm excentrical	2682045000

Additional types on request

Technical data

Min. pressure	0 bar
Return force to min height	≤ 200 N
Overall weight	3 kg

Vibration isolation - dynamic characteristic values

Design height H: recommended 210mm, minimum 195mm

Pressure p [bar]	3	4	5	6	7	8	Vol. V [l]
Force (Load) [kN]	5.3	7.1	8.9	10.7	12.6	14.4	
Spring rate [N/mm]	89	114	139	164	188	212	
Natural frequency [Hz]	2.1	2.0	2.0	2.0	1.9	1.9	

Pneumatic application - static characteristic values

Force F [kN]

Pressure p [bar]	3	4	5	6	7	8	Vol. V [l]
Height H [mm]	230	4.21	5.7	7.2	8.73	10.3	
	200	5.8	7.78	9.74	11.7	13.8	5.7
	170	6.96	9.3	11.7	14.1	16.5	5
	140	7.86	10.5	13.2	15.8	18.5	4.1
	110	8.52	11.4	14.2	17.1	19.9	3.4
	80	9.07	12	15	18	21	2.5



Service instructions
 M8: max. 25 Nm
 G1/4: max. 25 Nm
 G3/4: max. 50 Nm

Measuring procedure: Room temperature / Force-height-data quasistatic / Dynamic data at 1 Hz