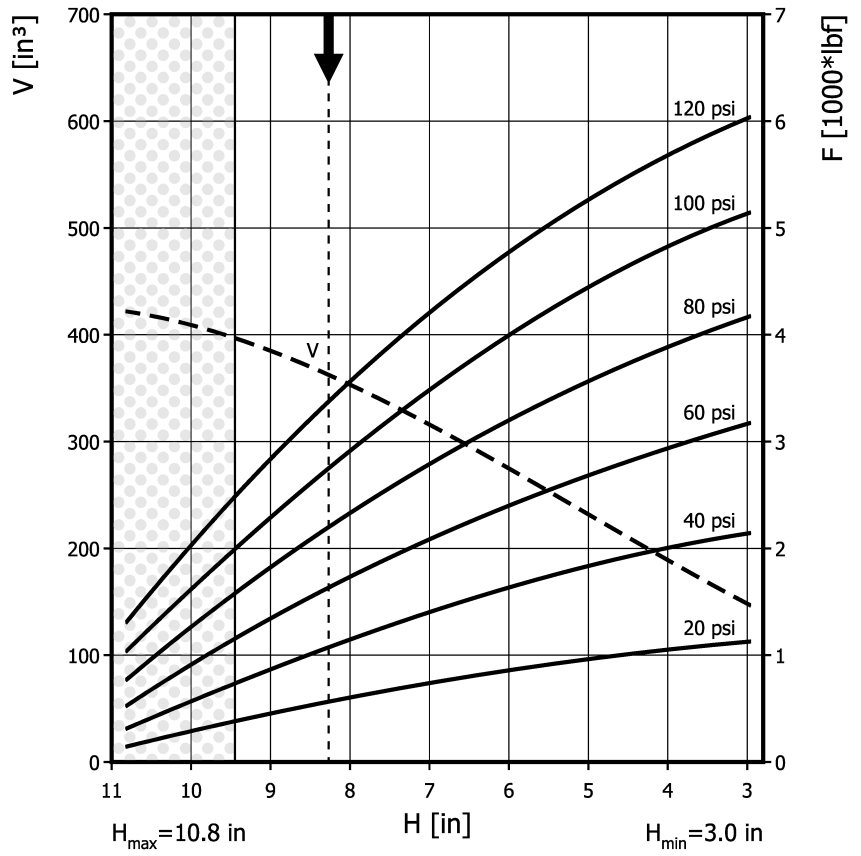
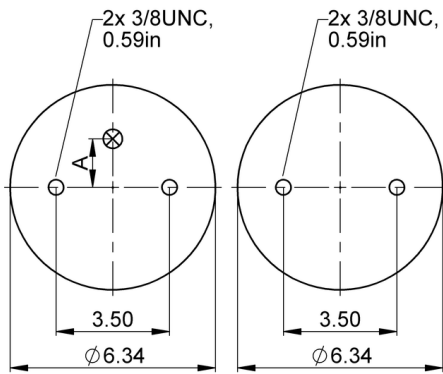
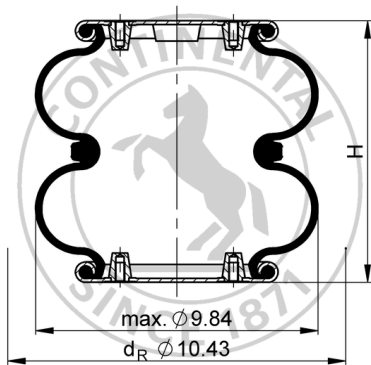


FD 200-19 CI

Double Convolution Air Actuator



Use in dotted range >9.45 in. only after consultation with ContiTech

Recommended height for vibration isolation: 8.27 in.

Purchase order data

Type	Order No.
Rubber bellows only	65195
with crimped plates, 1/4 NPT air inlet A = 1.75 in. excentrical	64267
with crimped plates, 3/4 NPT air inlet A = 1.5 in. excentrical	75258

Additional types on request

Technical data

Min. pressure	0 psi
Return force to min height	≤ 45 lbf
Overall weight	6.6 lb

Vibration isolation - dynamic characteristic values

Design height H: recommended 8.27 inch, minimum 7.68 inch

Pressure p [psi]	40	60	80	100	120	Vol. V [in³]
Force (Load) [lbf]	1090	1650	2210	2790	3350	360
Spring rate [lbf/in.]	474	670	867	1060	1250	
Natural frequency [Hz]	2.1	2.0	2.0	1.9	1.9	

Pneumatic application - static characteristic values

Force F [lbf]

Pressure p [psi]	40	60	80	100	120	Vol. V [in³]
Height H [in.]	9.0	884	1350	1830	2320	390
	8.0	1170	1760	2360	2980	350
	7.0	1380	2080	2790	3500	320
	6.0	1550	2340	3130	3930	280
	5.0	1690	2530	3380	4240	230
	4.0	1800	2690	3590	4490	190
3.0	1900	2820	3760	4690	150	



Service instructions
 3/8-16 UNC: max. 20 lbf ft
 1/4 NPT: max. 20 lbf ft
 3/4 NPT: max. 40 lbf ft

Measuring procedure: Room temperature / Force-height-data quasistatic / Dynamic data at 1 Hz