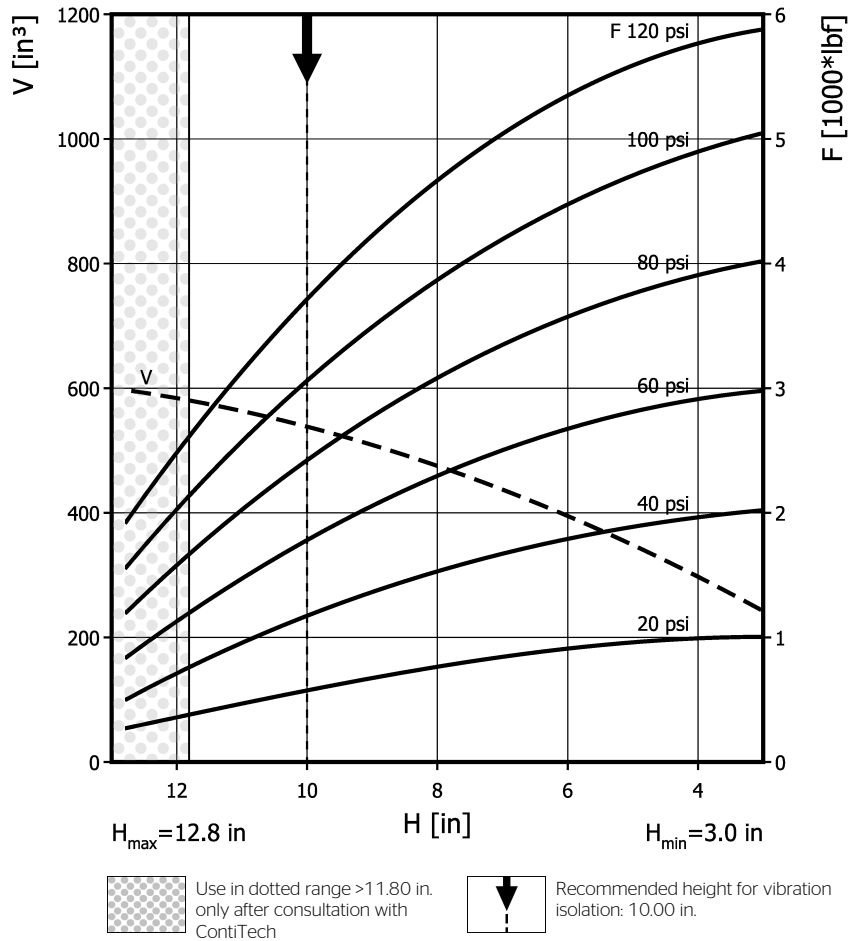
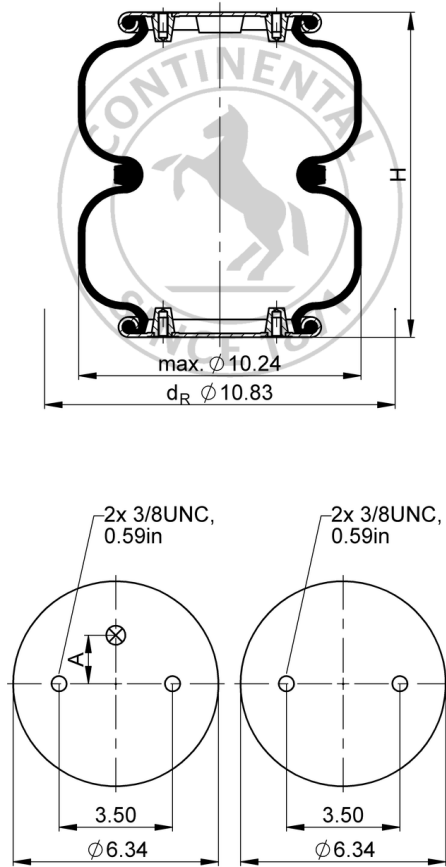


## FD 200-25 CI

## Double Convolution Air Actuator



## Purchase order data

Type	Order No.
Rubber bellows only	70715
with crimped plates, 1/4 NPT air inlet A = 1.75 in. excentrical	75310
with crimped plates A = 1.5 in. excentrical	75432

Additional types on request

## Technical data

Min. pressure	0 psi
Return force to min height	≤ 56 lbf
Overall weight	7.7 lb

**Vibration isolation - dynamic characteristic values**

Design height H: recommended 10 inch, minimum 9.06 inch

Pressure p [psi]	40	60	80	100	120	Vol. V [in.³]
Force (Load) [lbf]	1230	1890	2540	3190	3840	538
Spring rate [lbf/in.]	389	552	741	932	1080	
Natural frequency [Hz]	1.8	1.8	1.7	1.7	1.7	

**Pneumatic application - static characteristic values**

Force F [lbf]

Pressure p [psi]	40	60	80	100	120	Vol. V [in.³]
Height H [in.]	11.0	948	1470	2000	2550	560
	10.0	1180	1780	2430	3060	540
	9.0	1370	2070	2780	3510	510
	8.0	1530	2280	3070	3850	470
	7.0	1670	2490	3340	4200	440
	6.0	1790	2680	3570	4470	400
	5.0	1880	2800	3750	4700	350
	4.0	1960	2910	3910	4900	300

Service instructions  
 3/8-16 UNC: max. 20 lbf ft  
 1/4 NPT: max. 20 lbf ft

Measuring procedure: Room temperature / Force-height-data quasistatic / Dynamic data at 1 Hz