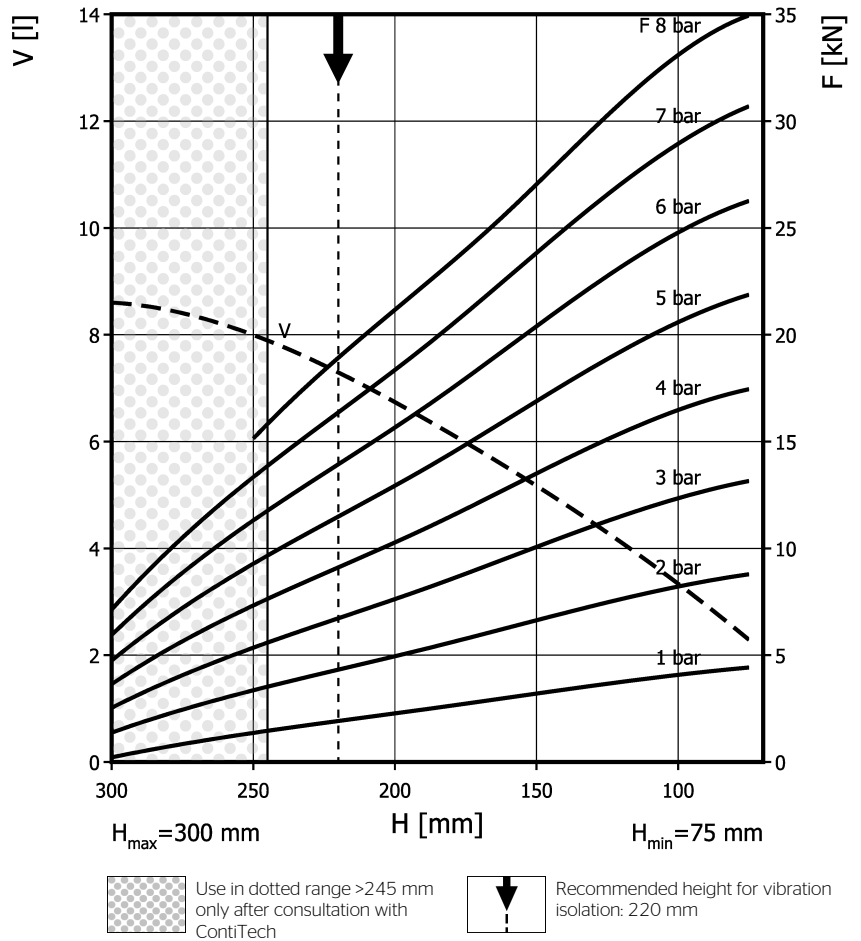
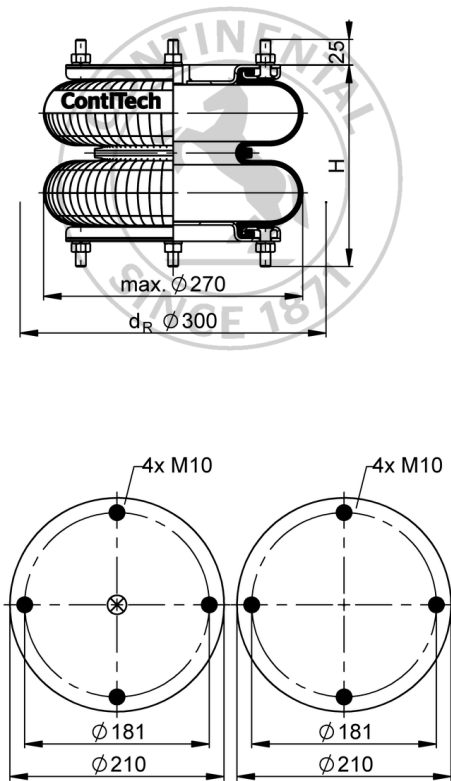


FD 210-22 DS

Double Convolution Air Actuator



Purchase order data

Type	Order No.
Rubber bellows only	66993
with dismountable plates, G1/2 air inlet	67403

Additional types on request

Technical data

Min. pressure	0 bar
Return force to min height	≤ 220 N
Overall weight	4.7 kg

Vibration isolation - dynamic characteristic values

Design height H: recommended 220mm, minimum 200mm

Pressure p [bar]	3	4	5	6	7	8	Vol. V [l]	
Force (Load) [kN]	6.7	9.2	11.5	13.9	16.3	18.7		7.2
Spring rate [N/mm]	100	123.5	148	171	194.5	218.5		
Natural frequency [Hz]	1.9	1.8	1.8	1.8	1.7	1.7		

Pneumatic application - static characteristic values

Force F [kN]

Pressure p [bar]	3	4	5	6	7	8	Vol. V [l]		
Height H [mm]	250	5.28	7.22	9.16	11.2	13.2		15.1	8
	200	7.66	10.3	13	15.7	18.4		21.1	6.7
	150	9.98	13.4	16.7	20.2	23.6		27	5.2
	100	12.4	16.5	20.6	24.8	28.9	33	3.3	


 Service instructions
 M10: max. 25 Nm
 G1/2: max. 25 Nm

Measuring procedure: Room temperature / Force-height-data quasistatic / Dynamic data at 1 Hz