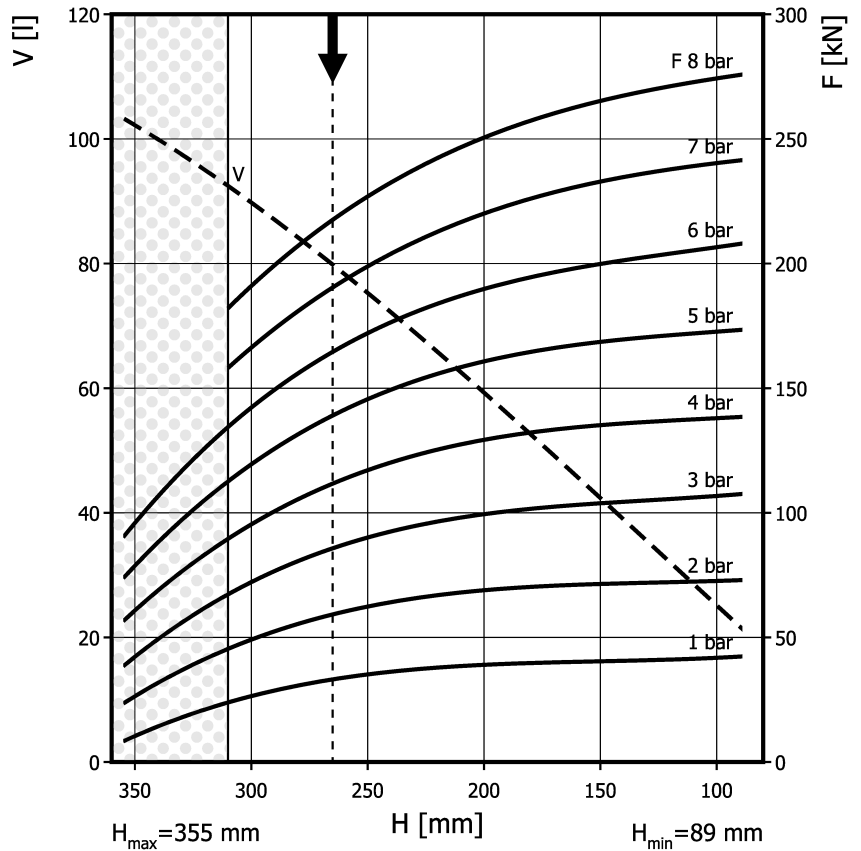
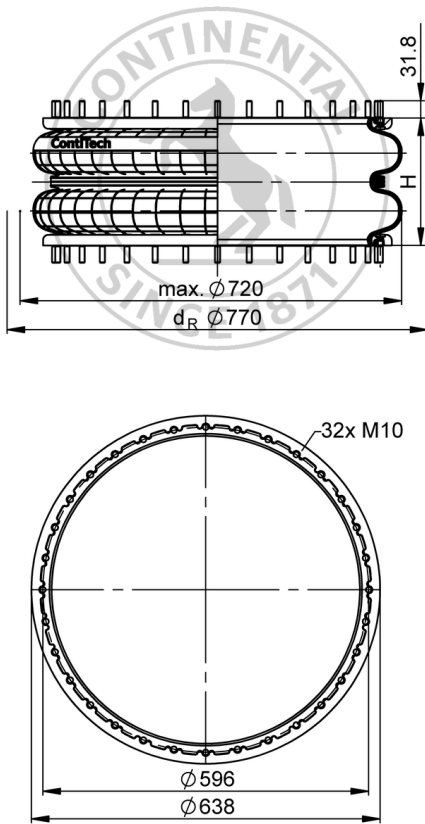


FD 2870-30 RS

Double Convolution Air Actuator



Use in dotted range >310 mm only after consultation with ContiTech

Recommended height for vibration isolation: 265 mm

Purchase order data

Type	Order No.
Rubber bellows only	61789
with bead rings, 48 mm bolts, nuts and washers	61907

Additional types on request

Technical data

Min. pressure	0 bar
Return force to min height	≤ 700 N
Overall weight	15.4 kg

Vibration isolation - dynamic characteristic values

Design height H: recommended 265mm, minimum 245mm

Pressure p [bar]	3	4	5	6	7	8	Vol. V [l]
Force (Load) [kN]	85.2	113.3	138.7	166	190.4	217.6	80
Spring rate [N/mm]	773	985	1178	1390	1553	1770	
Natural frequency [Hz]	1.5	1.5	1.5	1.5	1.4	1.4	

Pneumatic application - static characteristic values

Force F [kN]

Pressure p [bar]	3	4	5	6	7	8	Vol. V [l]
Height H [mm]	280	80.9	105	131	156	182	84
	240	90.9	118	147	175	203	72
	200	98.4	129	161	189	220	60
	160	104	135	168	199	231	46
	120	107	138	172	205	238	32



Service instructions
M10: max. 40 Nm

Measuring procedure: Room temperature / Force-height-data quasistatic / Dynamic data at 1 Hz