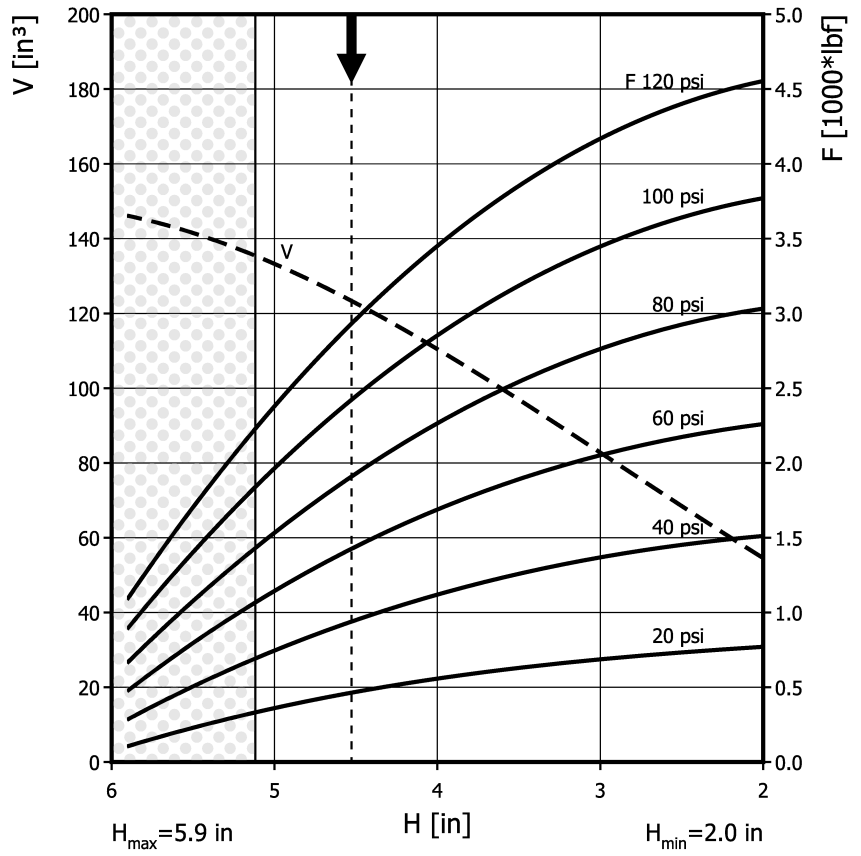
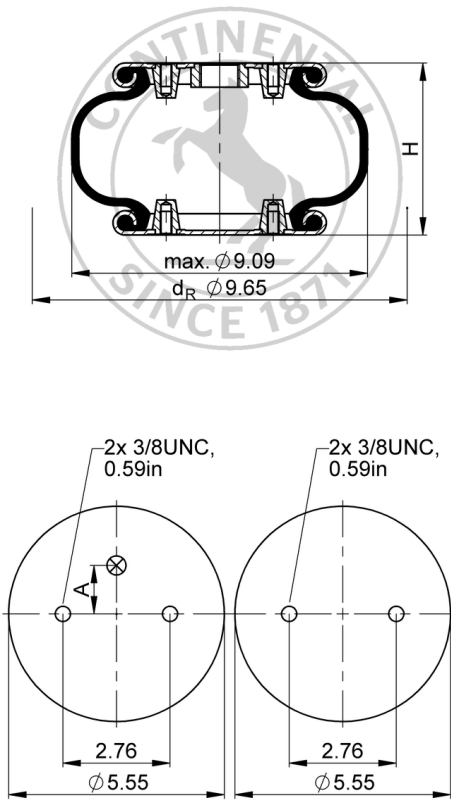


# FS 120-10 CI

# Single Convolution Air Actuator



Use in dotted range >5.12 in. only after consultation with ContiTech. Recommended height for vibration isolation: 4.53 in.

### Purchase order data

Type	Order No.
Rubber bellows only	62828
with crimped plates, 1/4 NPT air inlet A = 0 in. excentrical	75229
with crimped plates A = 0 in. excentrical	75248

Additional types on request

### Technical data

Min. pressure	0 psi
Return force to min height	≤ 45 lbf
Overall weight	4.4 lb

#### Vibration isolation - dynamic characteristic values

Design height H: recommended 4.53 inch, minimum 3.94 inch

Pressure p [psi]	40	60	80	100	120	Vol. V [in.³]
Force (Load) [lbf]	981	1530	2040	2570	3090	
Spring rate [lbf/in.]	701	1000	1290	1560	1870	
Natural frequency [Hz]	2.7	2.7	2.6	2.5	2.5	

#### Pneumatic application - static characteristic values

Force F [lbf]

Pressure p [psi]	40	60	80	100	120	Vol. V [in.³]	
Height H [in.]	4.5	939	1440	1920	2430		120
	4.0	1120	1690	2260	2850		110
	3.5	1250	1880	2530	3170		96
	3.0	1370	2050	2760	3460		83
	2.5	1450	2170	2930	3640	68	

Service instructions  
3/8-16 UNC: max. 20 lbf ft  
1/4 NPT: max. 20 lbf ft

Measuring procedure: Room temperature / Force-height-data quasistatic / Dynamic data at 1 Hz