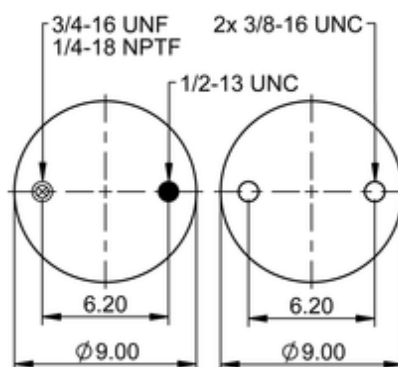
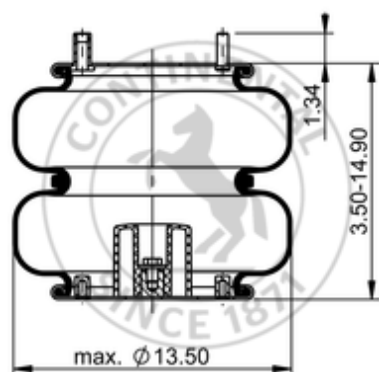






FD 331-26 541

64599



	12.5 lb
	1/4-18 NPTF: max. 22 lbf ft
	3/4-16 UNF: max. 50 lbf ft
	3/8-16 UNC: max. 20 lbf ft

### Cross-reference

Firestone Style	228-1.5
Firestone No.	W01-358-7550
FleetPride	AS7550
Goodyear	2B12-346
Goodyear Flex No.	578923315
Taurus	6375
Triangle	AS-4541

TRP	AS75500
Automann	SP2B22RB-7550

**OE Manufacturer/Reference No.**

<b>Manufacturer</b>	<b>Original-part no.</b>	<b>Model</b>
Histeer	10315	
Watson & Chalin	AS-0087	