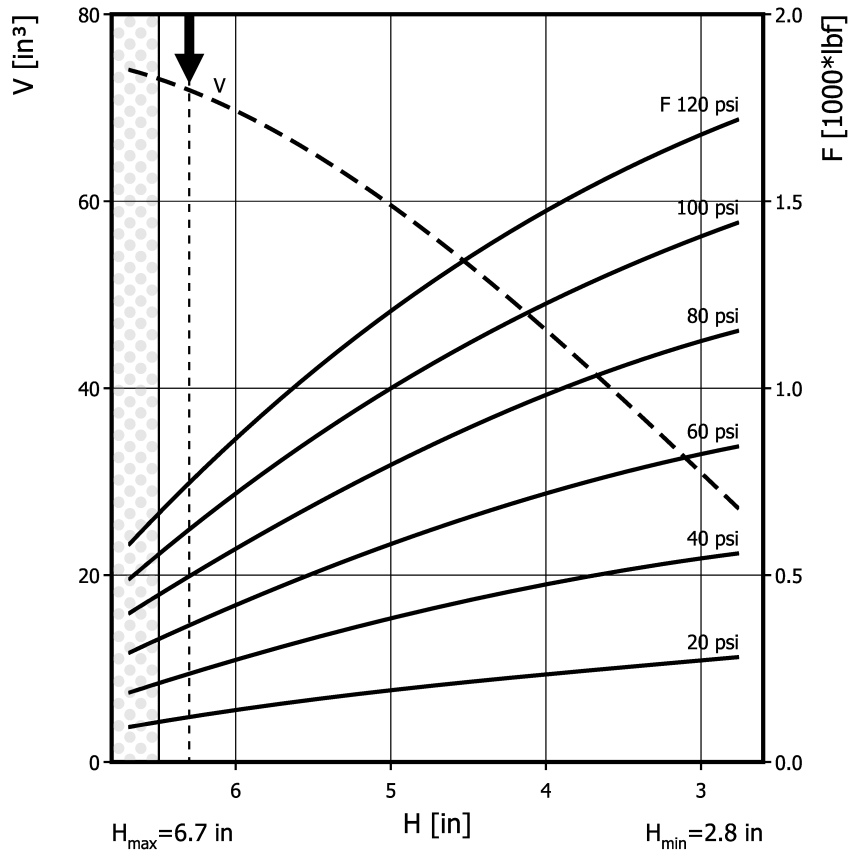
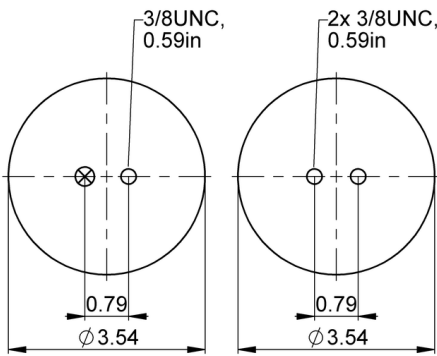
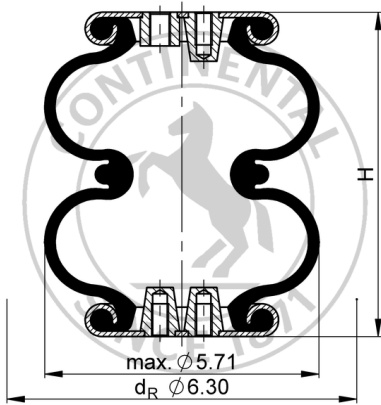


FD 40-10 CI

Double Convolution Air Actuator



Use in dotted range >6.50 in. only after consultation with ContiTech. Recommended height for vibration isolation: 6.30 in.

Purchase order data

Type	Order No.
Rubber bellows only	72586
with crimped plates, 1/8 NPT air inlet A = 0.394 in. excentrical	63030

Additional types on request

Technical data

Min. pressure	0	psi
Return force to min height	≤ 45	lbf
Overall weight	2.9	lb

Vibration isolation - dynamic characteristic values

Design height H: recommended 6.3 inch, minimum 5.91 inch

Pressure p [psi]	40	60	80	100	120	Vol. V [in.³]
Force (Load) [lbf]	226	353	496	620	744	
Spring rate [lbf/in.]	179	267	367	464	562	
Natural frequency [Hz]	2.8	2.8	2.7	2.7	2.7	

Pneumatic application - static characteristic values

Force F [lbf]

Pressure p [psi]	40	60	80	100	120	Vol. V [in.³]	
Height H [in.]	6.5	210	326	446	553		73
	6.0	274	423	573	721		70
	5.5	330	509	690	866		67
	5.0	384	578	790	1000		59
	4.5	434	652	891	1110		51
	4.0	470	717	981	1230		44
	3.5	516	776	1060	1320		42
	3.0	544	826	1130	1410	32	



Service instructions
3/8-16 UNC: max. 20 lbf ft
1/8 NPT: max. 15 lbf ft

Measuring procedure: Room temperature / Force-height-data quasistatic / Dynamic data at 1 Hz