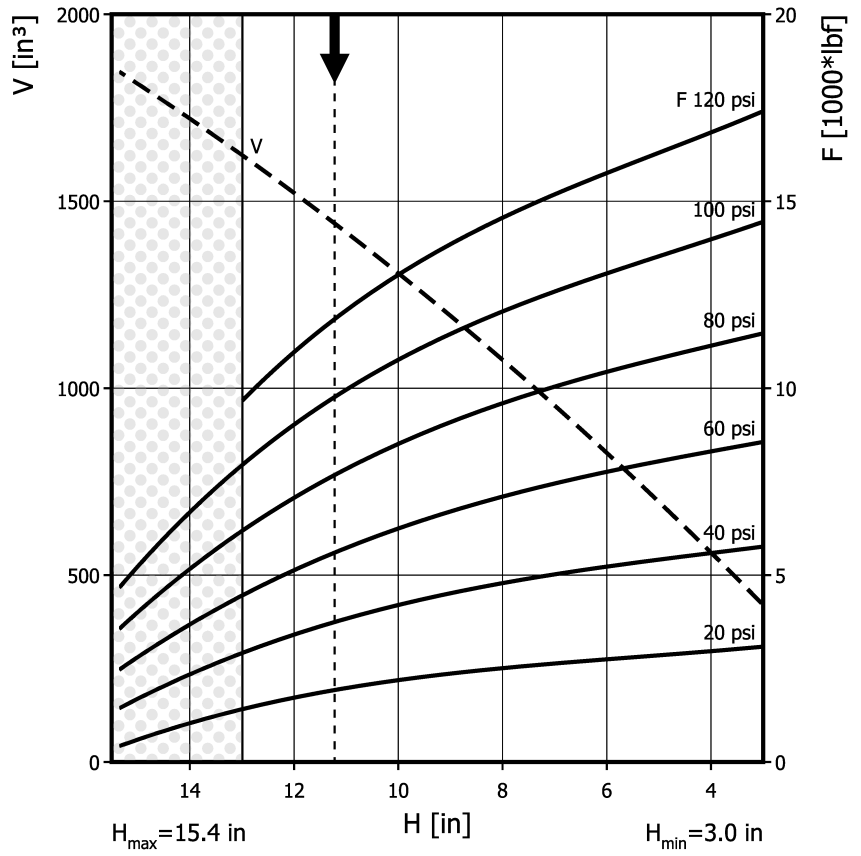
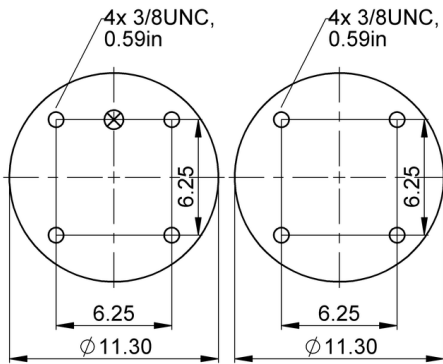
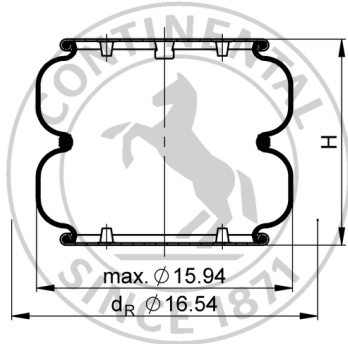


## FD 530-35 CI

## Double Convolution Air Actuator



Use in dotted range >13.00 in. only after consultation with ContiTech

Recommended height for vibration isolation: 11.20 in.

Purchase order data
Technical data

Type	Order No.
Rubber bellows only	70417
with crimped plates, 1/4 NPT air inlet A = 3.13 in. excentrical	72867
with crimped plates A = 3.13 in. excentrical	75606

Additional types on request

Min. pressure	0 psi
Return force to min height	≤ 90 lbf
Overall weight	17 lb

**Vibration isolation - dynamic characteristic values**

Design height H: recommended 11.2 inch, minimum 10.4 inch

Pressure p [psi]	40	60	80	100	120	Vol. V [in³]
Force (Load) [lbf]	3860	5840	7870	9880	11900	
Spring rate [lbf/in.]	944	1320	1680	2050	2410	
Natural frequency [Hz]	1.5	1.5	1.4	1.4	1.4	

**Pneumatic application - static characteristic values**

Force F [lbf]

Pressure p [psi]	40	60	80	100	120	Vol. V [in³]	
Height H [in.]	12.0	3410	5130	7080	9010		1500
	10.5	4020	5980	8150	10300		1400
	9.0	4500	6700	9100	11400		1200
	7.5	4890	7270	9820	12300		1000
	6.0	5220	7760	10400	13100		820
	4.5	5500	8170	10900	13700	630	



Service instructions  
 3/8-16 UNC: max. 20 lbf ft  
 1/4 NPT: max. 20 lbf ft

Measuring procedure: Room temperature / Force-height-data quasistatic / Dynamic data at 1 Hz