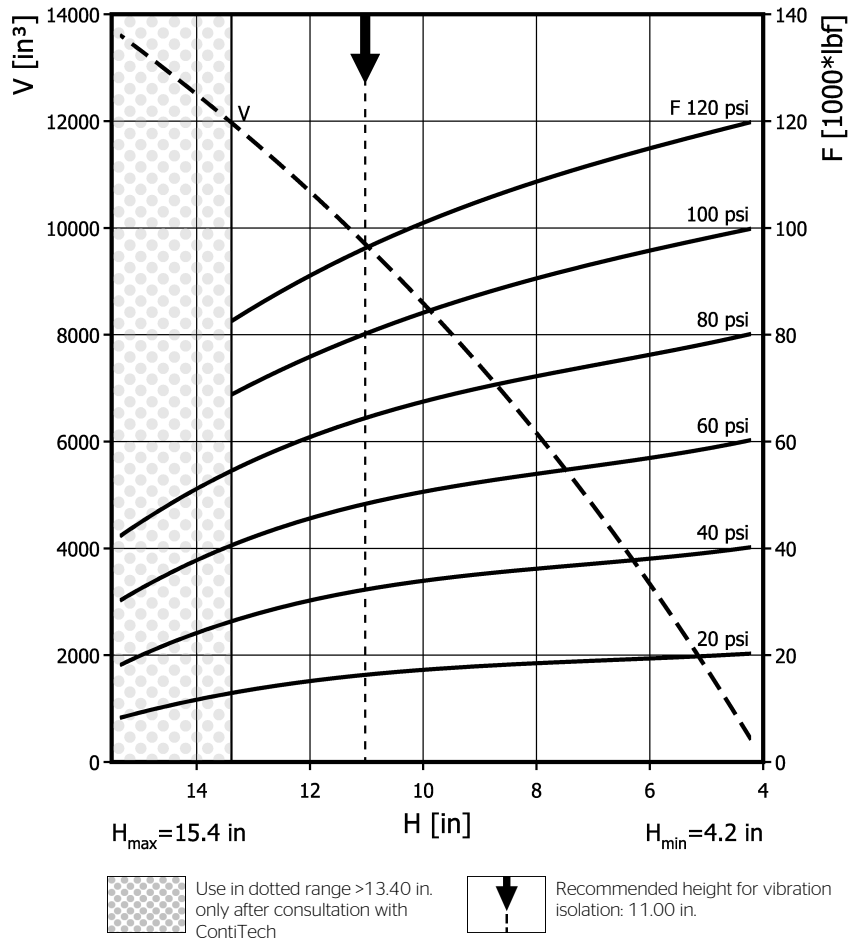
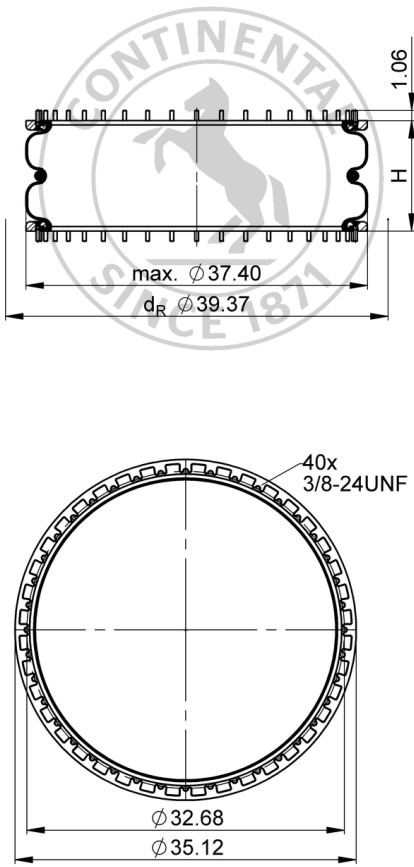


# FD 5450-28 RS Double Convolution Air Actuator



Use in dotted range >13.40 in. only after consultation with ContiTech

Recommended height for vibration isolation: 11.00 in.

## Purchase order data Technical data

Type	Order No.
Rubber bellows only	61786
WR SMS48	75394

Min. pressure	0	psi
Return force to min height	≤ 1236	lbf
Overall weight	72.5	lb

Additional types on request

### Vibration isolation - dynamic characteristic values

Design height H: recommended 11 inch, minimum 10.2 inch

Pressure p	[psi]	40	60	80	100	120	Vol. V [in.³]
Force (Load)	[lbf]	32800	47800	64600	80600	96500	9600
Spring rate	[lbf/in.]	6810	9310	12000	14600	17100	
Natural frequency	[Hz]	1.4	1.4	1.3	1.3	1.3	

### Pneumatic application - static characteristic values

Force F [lbf]

Pressure p	[psi]	40	60	80	100	120	Vol. V [in.³]
Height H [in.]	10.5	32700	49100	65500	81900	98200	9000
	9.0	34900	52400	70100	87900	10500	7400
	7.5	36800	54800	73500	92100	11100	5500
	6.0	38400	57100	76200	95200	11400	3300
	4.5	39700	59600	79500	99300	11900	920



Service instructions  
3/8-24 UNF: max. 30 lbf ft

Measuring procedure: Room temperature / Force-height-data quasistatic / Dynamic data at 1 Hz