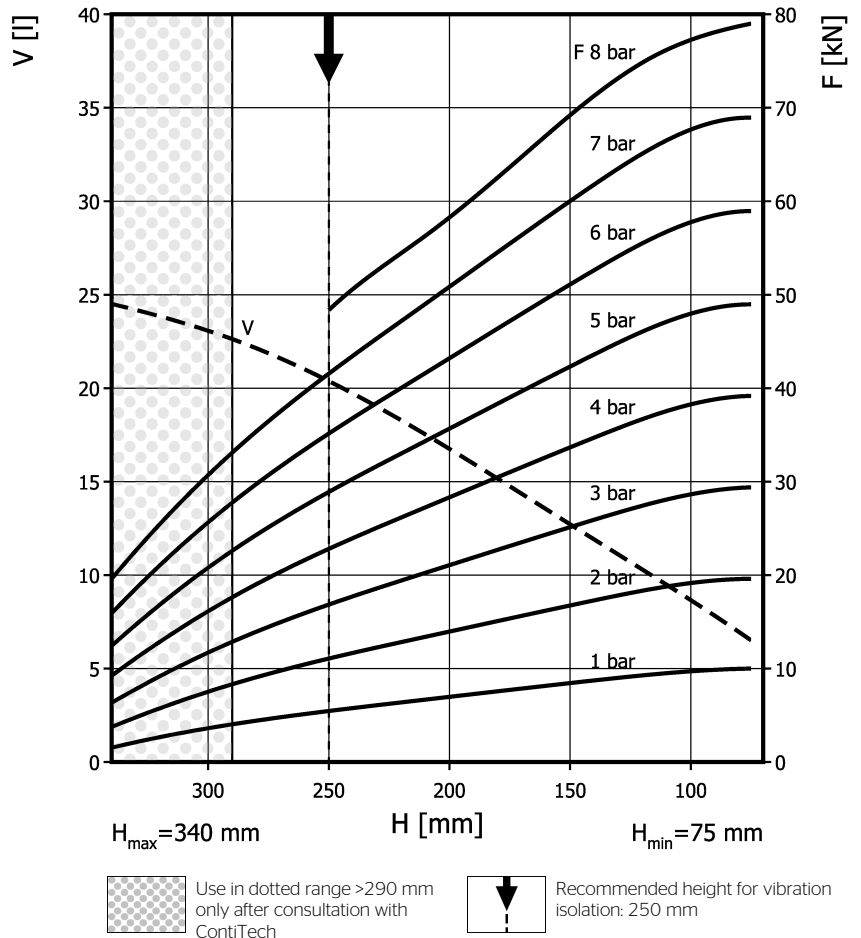
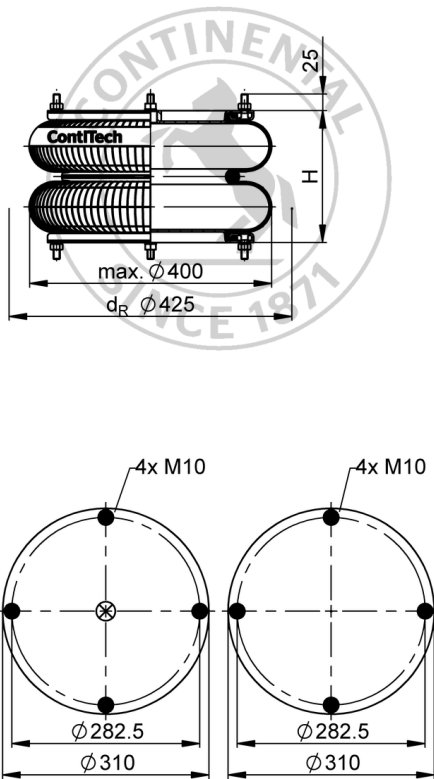


## FD 614-26 DS

## Double Convolution Air Actuator



## Purchase order data

Type	Order No.
Rubber bellows only	66013
with dismountable plates, G1/2 air inlet	68046

Additional types on request

## Technical data

Min. pressure	0 bar
Return force to min height	≤ 280 N
Overall weight	8.3 kg

**Vibration isolation - dynamic characteristic values**

Design height H: recommended 250mm, minimum 230mm

Pressure p [bar]	3	4	5	6	7	8	Vol. V [l]
Force (Load) [kN]	17.3	23.6	29.3	35.7	41.7	47.8	
Spring rate [N/mm]	197	252	304	358	409	461	
Natural frequency [Hz]	1.7	1.6	1.6	1.6	1.6	1.6	

**Pneumatic application - static characteristic values**

Force F [kN]

Pressure p [bar]	3	4	5	6	7	8	Vol. V [l]
Height H [mm]	290	12.8	17.5	22.5	27.6	33	
	250	16.9	22.9	29	35.3	41.8	48.4
	200	20.9	28.1	35.4	42.9	50.4	58.2
	150	25.1	33.7	42.4	51.2	60.2	69.3
	100	28.6	38.2	47.8	57.6	67.4	77.3


 Service instructions  
 M10: max. 25 Nm  
 G1/2: max. 25 Nm

**Measuring procedure:** Room temperature / Force-height-data quasistatic / Dynamic data at 1 Hz