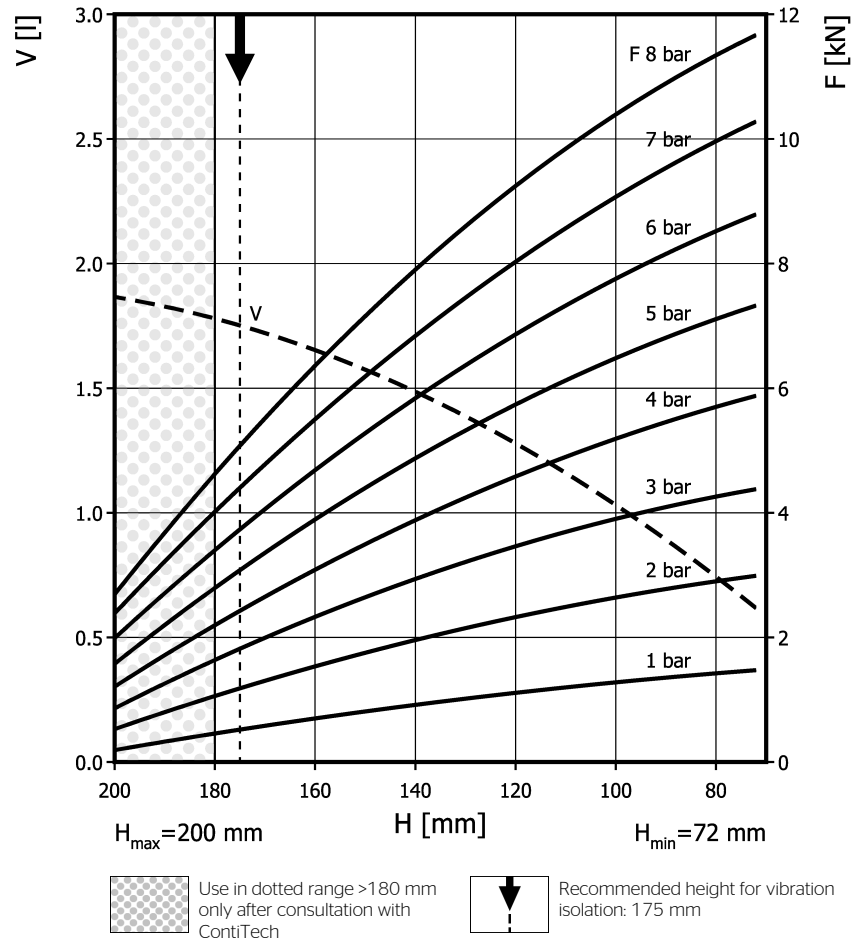
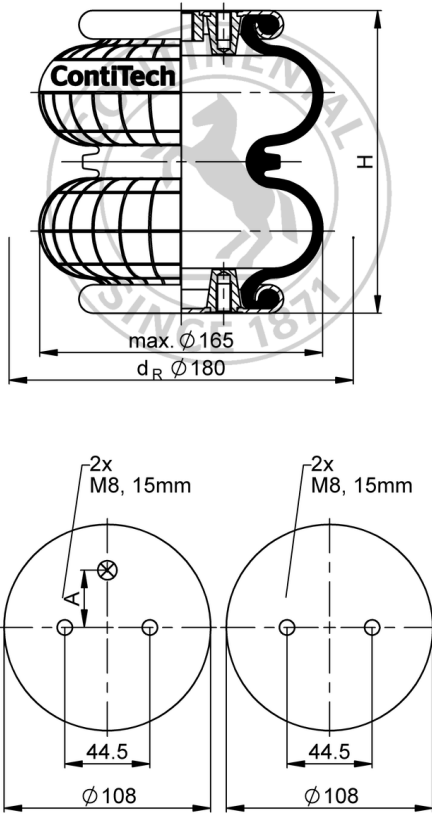


FD 70-13 CI

Double Convolution Air Actuator



Purchase order data

| | |
|---|------------|
| Type | Order No. |
| Rubber bellows only | 60513 |
| with crimped plates, G1/4 air inlet A = 0 mm excentrical | 2682015000 |
| with stainless steel crimped plates, G1/4 air inlet A = 0 mm excentrical | 61756 |

Additional types on request

Technical data

| | |
|----------------------------|---------|
| Min. pressure | 0 bar |
| Return force to min height | ≤ 200 N |
| Overall weight | 1.5 kg |

Vibration isolation - dynamic characteristic values

Design height H: recommended 175mm, minimum 160mm

| Pressure p [bar] | 3 | 4 | 5 | 6 | 7 | 8 | Vol. V [l] |
|------------------------|-----|------|-----|-----|------|-------|------------|
| Force (Load) [kN] | 1.9 | 2.5 | 3.2 | 3.8 | 4.5 | 5.2 | 1.8 |
| Spring rate [N/mm] | 46 | 59.5 | 73 | 86 | 99.5 | 112.5 | |
| Natural frequency [Hz] | 2.5 | 2.5 | 2.4 | 2.4 | 2.4 | 2.4 | |

Pneumatic application - static characteristic values

Force F [kN]

| Pressure p [bar] | 3 | 4 | 5 | 6 | 7 | 8 | Vol. V [l] |
|------------------|-----|------|------|-----|------|-----|------------|
| Height H [mm] | 180 | 160 | 140 | 120 | 100 | 80 | 1.8 |
| | 1.6 | 2.4 | 2.9 | 3.4 | 3.9 | 4.3 | 1.6 |
| | 1.6 | 3.15 | 3.88 | 4.5 | 5.23 | 5.7 | 1.5 |
| | 1.6 | 3.9 | 4.8 | 5.7 | 6.5 | 7.1 | 1.3 |
| | 1.6 | 4.3 | 5.23 | 6.5 | 7.8 | 8.5 | 1.1 |
| | 1.6 | 4.3 | 5.7 | 7.1 | 8.5 | 10 | 0.7 |



Service instructions
M8: max. 25 Nm
G1/4: max. 25 Nm

Measuring procedure: Room temperature / Force-height-data quasistatic / Dynamic data at 1 Hz