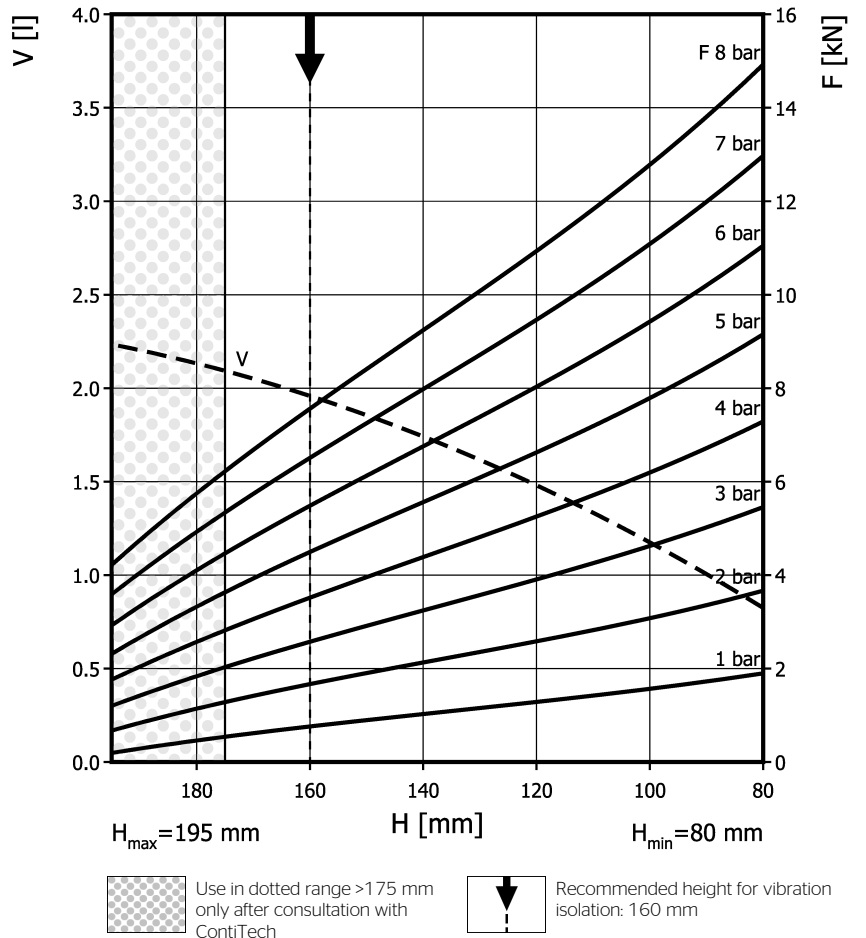
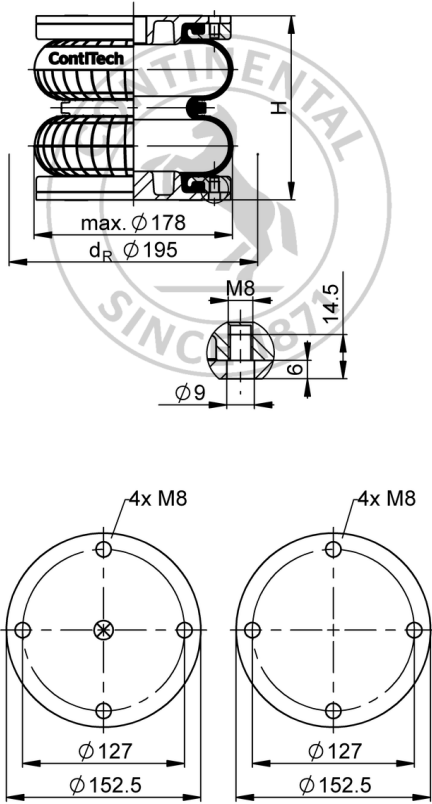


FD 76-14 DI CR Double Convolution Air Actuator



Purchase order data

Type	Order No.
Rubber bellows only	77215
CR-Rubber bellows, with dismountable aluminium plates, G1/2 air inlet	69838

Additional types on request

Technical data

Min. pressure	0 bar
Return force to min height	≤ 240 N
Overall weight	1.8 kg

Vibration isolation - dynamic characteristic values

Design height H: recommended 160mm, minimum 150mm

Pressure p [bar]	3	4	5	6	7	8	Vol. V [l]
Force (Load) [kN]	2.6	3.5	4.5	5.5	6.5	7.6	
Spring rate [N/mm]	67.5	85.5	103.5	121.5	139.5	157	
Natural frequency [Hz]	2.5	2.4	2.4	2.3	2.3	2.3	2

Pneumatic application - static characteristic values

Force F [kN]

Pressure p [bar]	3	4	5	6	7	8	Vol. V [l]	
Height H [mm]	160	2.58	3.52	4.5	5.5	6.54		7.6
	140	3.3	4.46	5.64	6.84	8.07		9.33
	120	3.88	5.21	6.57	7.96	9.38		10.8
	100	4.59	6.16	7.76	9.4	11.1	12.8	



Service instructions
M8: max. 12 Nm
G1/2: max. 25 Nm

Measuring procedure: Room temperature / Force-height-data quasistatic / Dynamic data at 1 Hz