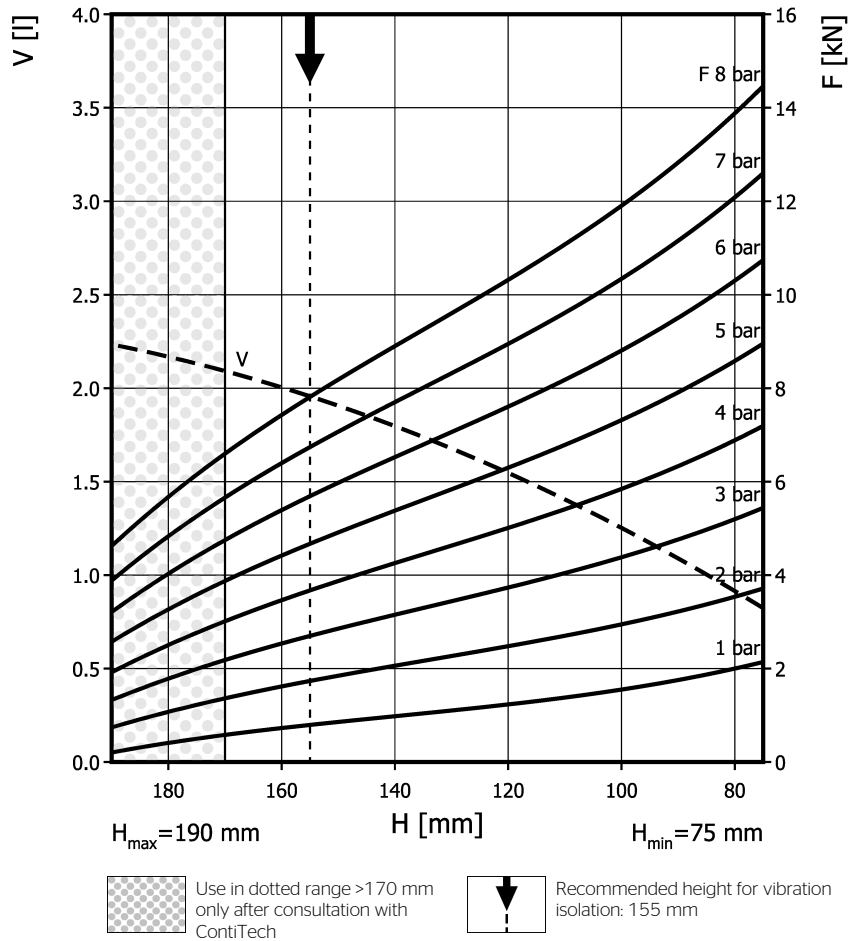
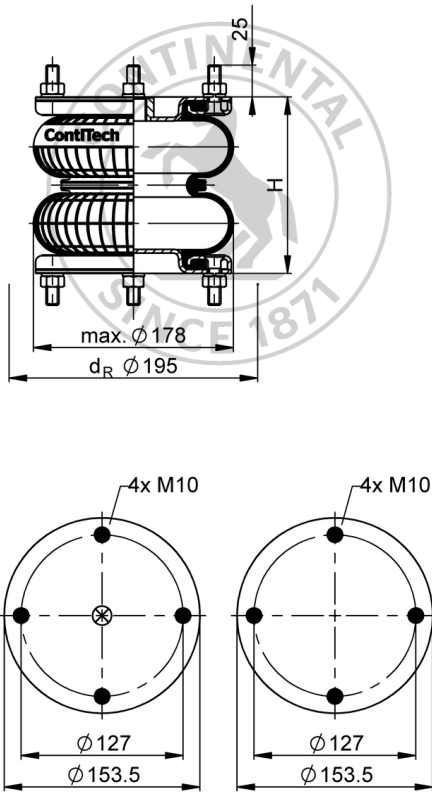


FD 76-14 DS CR Double Convolution Air Actuator



Purchase order data
Technical data

Type	Order No.
Rubber bellows only	77215
CR-Rubber bellows, with dismountable plates, G1/2 air inlet	70215

Additional types on request

Min. pressure	0 bar
Return force to min height	≤ 240 N
Overall weight	2.6 kg

Vibration isolation - dynamic characteristic values

Design height H: recommended 155mm, minimum 145mm

Pressure p [bar]	3	4	5	6	7	8	Vol. V [l]
Force (Load) [kN]	2.7	3.7	4.7	5.7	6.7	7.8	
Spring rate [N/mm]	65	83	101.5	118.5	136	153	
Natural frequency [Hz]	2.5	2.4	2.3	2.3	2.3	2.2	2

Pneumatic application - static characteristic values

Force F [kN]

Pressure p [bar]	3	4	5	6	7	8	Vol. V [l]
Height H [mm] 170	2.16	2.98	3.83	4.7	5.59	6.53	
150	2.85	3.86	4.9	5.96	7.06	8.18	
130	3.46	4.66	5.88	7.12	8.38	9.67	
110	4.06	5.43	6.8	8.19	9.62	11.1	
90	4.74	6.3	7.88	9.47	11.1	12.8	



Service instructions
 M10: max. 25 Nm
 G1/2: max. 25 Nm

Measuring procedure: Room temperature / Force-height-data quasistatic / Dynamic data at 1 Hz