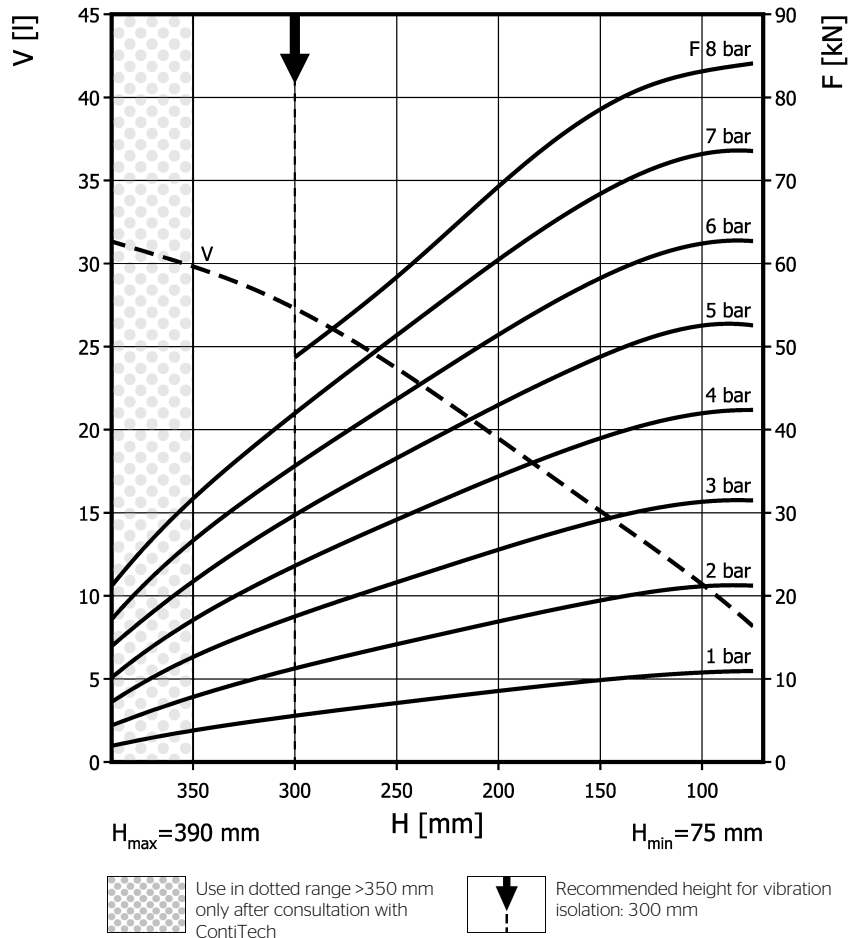
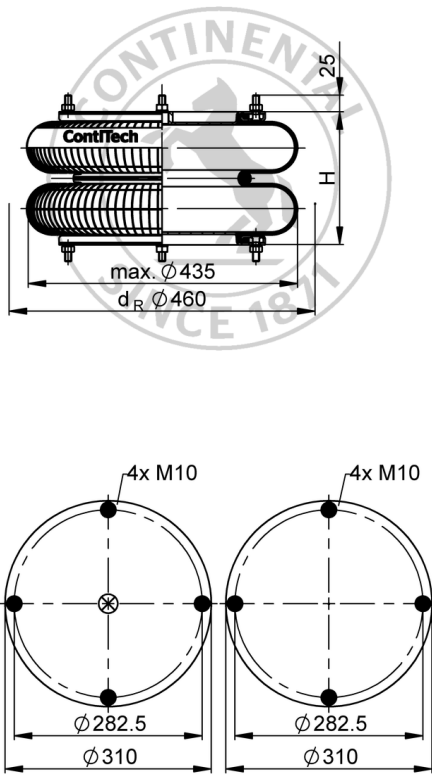


FD 816-30 DS

Double Convolution Air Actuator



Purchase order data

Type	Order No.
Rubber bellows only	68050
with dismountable plates, G1/2 air inlet	68052

Additional types on request

Technical data

Min. pressure	0 bar
Return force to min height	≤ 250 N
Overall weight	8.8 kg

Vibration isolation - dynamic characteristic values

Design height H: recommended 300mm, minimum 280mm

Pressure p [bar]	3	4	5	6	7	8	Vol. V [l]
Force (Load) [kN]	17.6	23.9	30	36	42.4	48.7	
Spring rate [N/mm]	171	216.5	264	310	356	401	
Natural frequency [Hz]	1.6	1.5	1.5	1.5	1.5	1.4	

Pneumatic application - static characteristic values

Force F [kN]

Pressure p [bar]	3	4	5	6	7	8	Vol. V [l]
Height H [mm]	350	12.6	17	21.9	26.5	31.5	
	300	17.6	23.9	29.9	36	42.4	48.7
	250	21.5	28.9	36.2	43.3	51	58.4
	200	25.5	34.4	43	51.4	60.5	69.3
	150	29.2	39.2	49	58.5	68.7	78.5
	100	31.2	41.8	52.3	62.2	73	83.3


 Service instructions
 M10: max. 25 Nm
 G1/2: max. 25 Nm

Measuring procedure: Room temperature / Force-height-data quasistatic / Dynamic data at 1 Hz