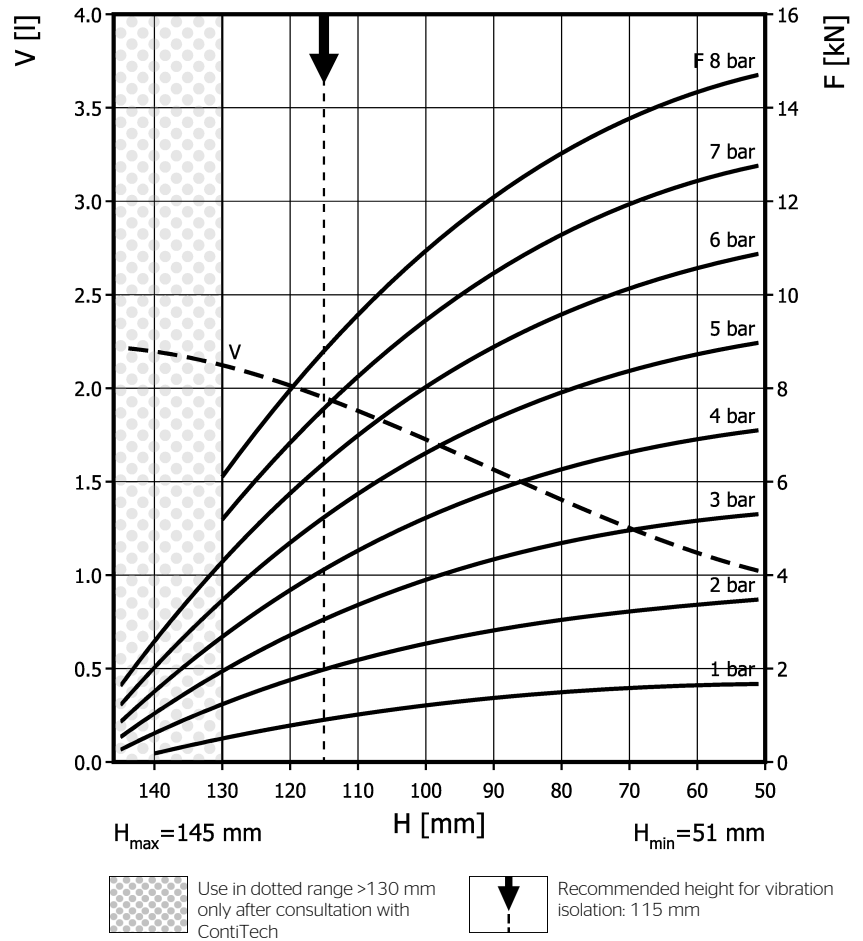
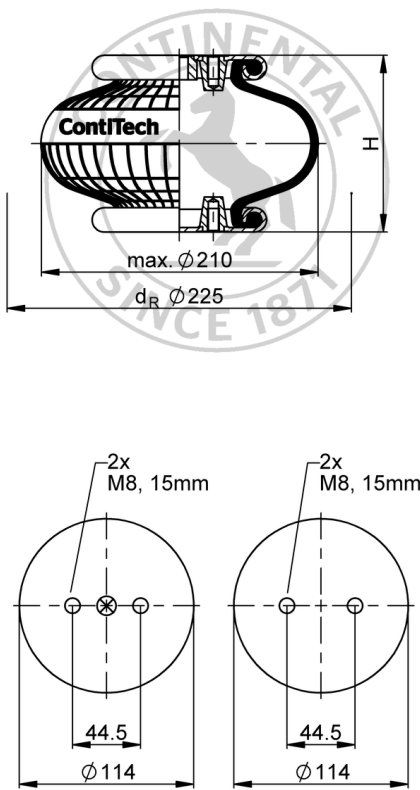


FS 100-10 CI

Single Convolution Air Actuator



Purchase order data

Type	Order No.
Rubber bellows only	63457
with crimped plates, G1/4 air inlet A = 0 mm excentrical	65745

Additional types on request

Technical data

Min. pressure	0 bar
Return force to min height	≤ 40 N
Overall weight	1.4 kg

Vibration isolation - dynamic characteristic values

Design height H: recommended 115mm, minimum 100mm

Pressure p [bar]	3	4	5	6	7	8	Vol. V [l]
Force (Load) [kN]	3.1	4.3	5.4	6.5	7.6	8.8	
Spring rate [N/mm]	98.7	126.8	155.9	185.1	213.6	241.8	
Natural frequency [Hz]	2.8	2.7	2.7	2.7	2.6	2.6	

Pneumatic application - static characteristic values

Force F [kN]

Pressure p [bar]	3	4	5	6	7	8	Vol. V [l]		
Height H [mm]	130	1.96	2.69	3.48	4.3	5.18		6.09	2.1
	110	3.35	4.51	5.73	6.98	8.25		9.58	1.9
	90	4.31	5.77	7.29	8.85	10.4		12	1.6
	70	4.97	6.64	8.38	10.2	11.9	13.8	1.3	


 Service instructions
 M8: max. 25 Nm
 G1/4: max. 25 Nm

Measuring procedure: Room temperature / Force-height-data quasistatic / Dynamic data at 1 Hz