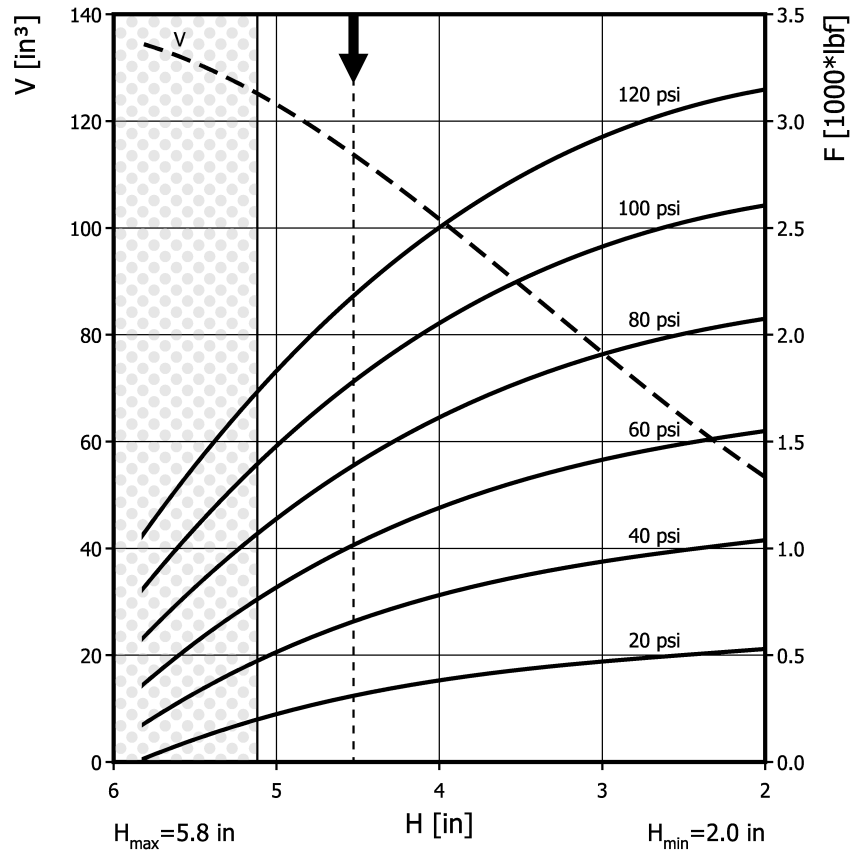
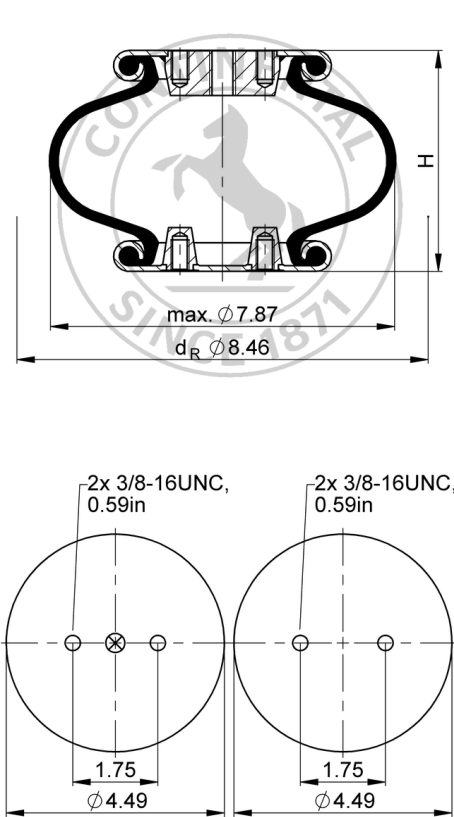


FS 100-11 CI

Single Convolution Air Actuator



Use in dotted range >5.12 in. only after consultation with ContiTech



Recommended height for vibration isolation: 4.53 in.

Purchase order data

Type	Order No.
Rubber bellows only	on request
with crimped plates, 1/4 NPT air inlet A = 0 in. excentrical	76284
with crimped plates, 3/4 NPT air inlet A = 0 in. excentrical	77148

Additional types on request

Technical data

Min. pressure	0	psi
Return force to min height	≤ 22	lbf
Overall weight	3.1	lb

Vibration isolation - dynamic characteristic values

Design height H: recommended 4.53 inch, minimum 3.94 inch

Pressure p	[psi]	40	60	80	100	120	Vol. V [in.³]
Force (Load)	[lbf]	805	1230	1650	2080	2510	114
Spring rate	[lbf/in.]	607	827	1050	1270	1490	
Natural frequency	[Hz]	2.7	2.6	2.5	2.4	2.4	

Pneumatic application - static characteristic values

Force F [lbf]

Pressure p	[psi]	40	60	80	100	120	Vol. V [in.³]
Height H [in.]	4.5	658	1020	1390	1790	2190	110
	4.0	779	1190	1610	2050	2500	100
	3.5	871	1320	1780	2260	2740	89
	3.0	939	1420	1910	2410	2920	77



Service instructions
 3/8-16 UNC: max. 20 lbf ft
 1/4 NPT: max. 20 lbf ft
 3/4 NPT: max. 40 lbf ft

Measuring procedure: Room temperature / Force-height-data quasistatic / Dynamic data at 1 Hz