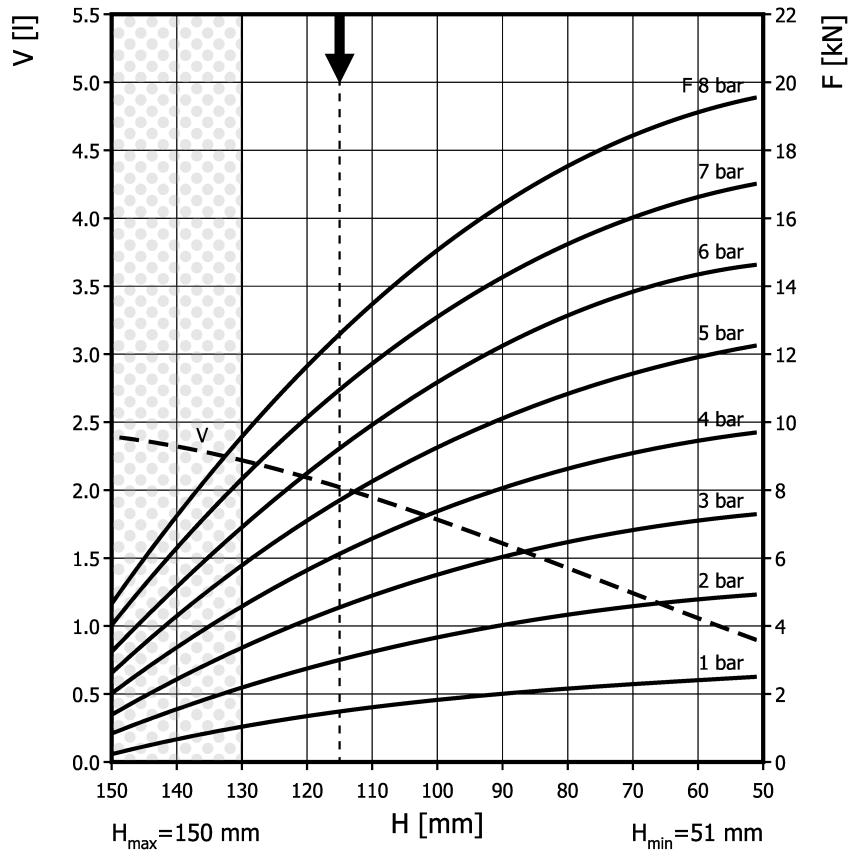
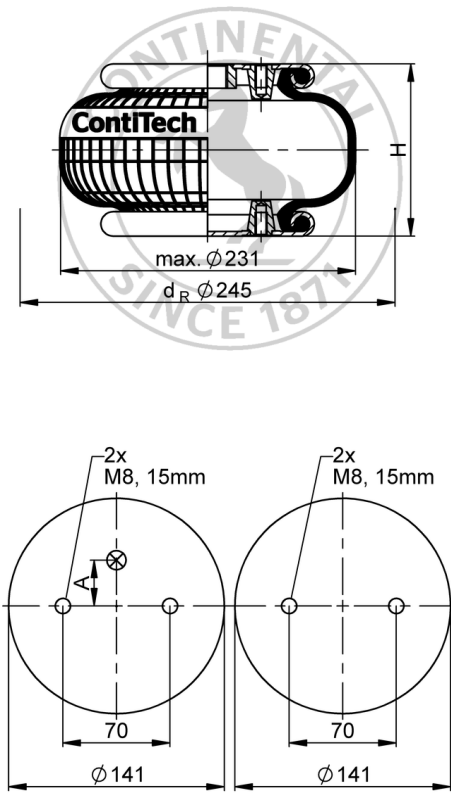


# FS 120-10 CI

# Single Convolution Air Actuator



Use in dotted range >130 mm only after consultation with ContiTech

Recommended height for vibration isolation: 115 mm

### Purchase order data

|   |           |
|---|-----------|
| Type  | Order No. |
| Rubber bellows only   | 62828     |
| with crimped plates, G1/4 air inlet<br>A = 0 mm excentrical | 62404     |
| with crimped plates, G3/4 air inlet<br>A = 0 mm excentrical | 62313     |

Additional types on request

### Technical data

|                            |         |
|----------------------------|---------|
| Min. pressure              | 0 bar   |
| Return force to min height | ≤ 200 N |
| Overall weight             | 2 kg    |

#### Vibration isolation - dynamic characteristic values

Design height H: recommended 115mm, minimum 100mm

| Pressure p [bar]       | 3   | 4   | 5   | 6   | 7    | 8    | Vol. V [l] |
|------------------------|-----|-----|-----|-----|------|------|------------|
| Force (Load) [kN]      | 4.8 | 6.6 | 8.2 | 9.9 | 11.6 | 13.3 | 2          |
| Spring rate [N/mm]     | 132 | 170 | 209 | 242 | 277  | 316  |            |
| Natural frequency [Hz] | 2.7 | 2.7 | 2.6 | 2.6 | 2.5  | 2.5  |            |

#### Pneumatic application - static characteristic values

Force F [kN]

| Pressure p [bar] | 3   | 4   | 5   | 6    | 7    | 8    | Vol. V [l] |
|------------------|-----|-----|-----|------|------|------|------------|
| Height H [mm]    | 120 | 4.2 | 5.6 | 7.2  | 8.4  | 10.2 | 2.1        |
|                  | 110 | 4.8 | 6.6 | 8.2  | 9.9  | 11.6 | 2          |
|                  | 100 | 5.6 | 7.4 | 9.2  | 11.2 | 13.1 | 1.8        |
|                  | 90  | 6   | 8   | 10.1 | 12.2 | 14.2 | 1.6        |
|                  | 80  | 6.5 | 8.6 | 10.9 | 13.2 | 15.3 | 1.4        |
|                  | 70  | 6.8 | 9.2 | 11.4 | 13.8 | 16.1 | 1.3        |
|                  | 60  | 7.1 | 9.4 | 12   | 14.4 | 16.6 | 1.1        |



Service instructions  
M8: max. 25 Nm  
G1/4: max. 25 Nm  
G3/4: max. 50 Nm

Measuring procedure: Room temperature / Force-height-data quasistatic / Dynamic data at 1 Hz