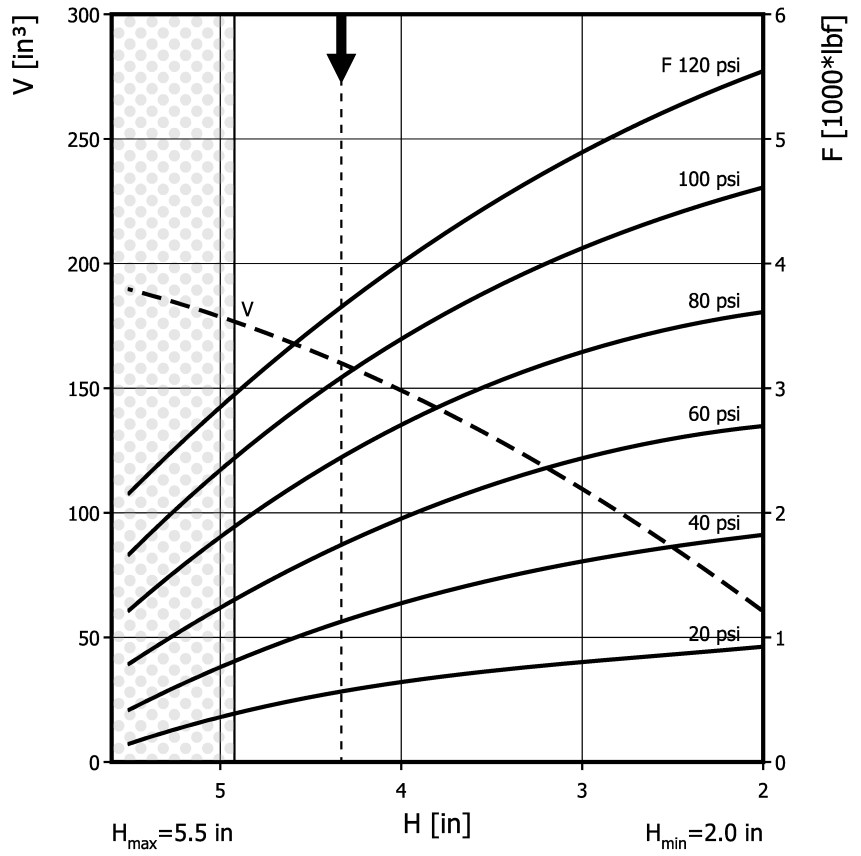
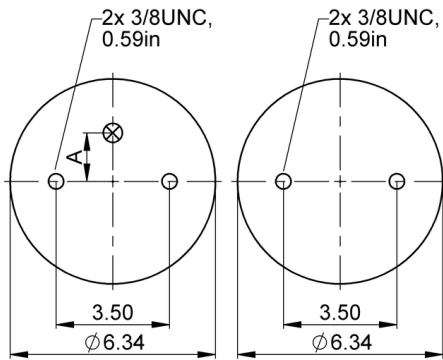
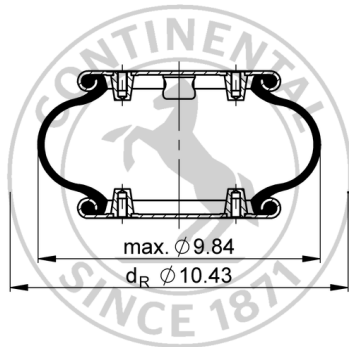


# FS 200-10 CI

# Single Convolution Air Actuator



Use in dotted range >4.92 in. only after consultation with ContiTech
 Recommended height for vibration isolation: 4.33 in.

## Purchase order data

Type	Order No.
Rubber bellows only	72850
with crimped plates, 1/4 NPT air inlet A = 1.75 in. excentrical	63530
with crimped plates, 3/4 NPT air inlet A = 1.5 in. excentrical	63531

Additional types on request

## Technical data

Min. pressure	0	psi
Return force to min height	≤ 45	lbf
Overall weight	5.1	lb

### Vibration isolation - dynamic characteristic values

Design height H: recommended 4.33 inch, minimum 3.54 inch

Pressure p	[psi]	40	60	80	100	120	Vol. V [in.³]
Force (Load)	[lbf]	1130	1750	2420	3100	3630	159
Spring rate	[lbf/in.]	780	1210	1650	2080	2510	
Natural frequency	[Hz]	2.6	2.6	2.6	2.6	2.6	

### Pneumatic application - static characteristic values

Force F [lbf]

Pressure p	[psi]	40	60	80	100	120	Vol. V [in.³]
Height H [in.]	4.5	1040	1620	2280	2910	3450	160
	4.0	1280	1960	2700	3380	3990	150
	3.5	1460	2220	3030	3800	4470	130
	3.0	1600	2430	3290	4120	4890	110
	2.5	1730	2590	3480	4390	5250	86



Service instructions  
 3/8-16 UNC: max. 20 lbf ft  
 1/4 NPT: max. 20 lbf ft  
 3/4 NPT: max. 40 lbf ft

Measuring procedure: Room temperature / Force-height-data quasistatic / Dynamic data at 1 Hz