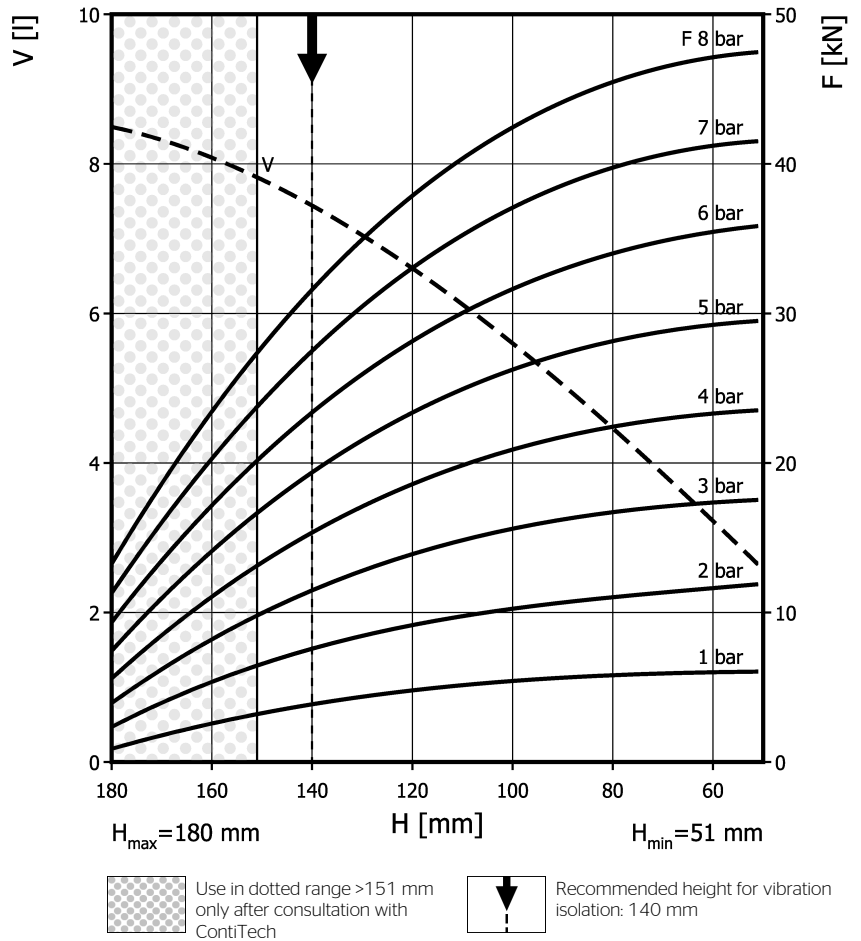
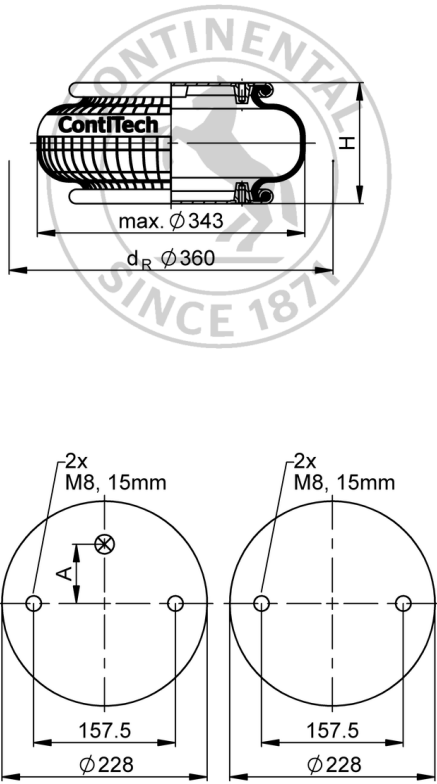


# FS 330-14 CI

# Single Convolution Air Actuator



## Purchase order data

Type	Order No.
Rubber bellows only	72585
with crimped plates, G1/4 air inlet A = 73 mm excentrical	61937
with crimped plates and bumper A = 73 mm excentrical	on request
with crimped plates, G3/4 air inlet A = 73 mm excentrical	67875
with crimped plates A = 66 mm excentrical	on request

Additional types on request



Service instructions  
 M8: max. 25 Nm  
 G1/4: max. 25 Nm  
 G3/4: max. 50 Nm

## Technical data

Min. pressure	0 bar
Return force to min height	≤ 300 N
Overall weight	4.3 kg

### Vibration isolation - dynamic characteristic values

Design height H: recommended 140mm, minimum 120mm

Pressure p [bar]	3	4	5	6	7	8	Vol. V [l]
Force (Load) [kN]	11.6	15.5	19.5	23.4	27.4	31.2	
Spring rate [N/mm]	261	332.2	409.4	486.5	567.8	637.6	7.4
Natural frequency [Hz]	2.4	2.3	2.3	2.3	2.3	2.2	

### Pneumatic application - static characteristic values

Force F [kN]

Pressure p [bar]	3	4	5	6	7	8	Vol. V [l]
Height H [mm]	151	130	110	90	70	7.8	
	10	17	25	33	40.6	7	
	13.3	21.4	30	38.6	46.6	6.1	
	16.8	27.4	35.2	44.2	46.6	5	
	20.3	34.8	40.2	46.6	46.6	3.9	

Measuring procedure: Room temperature / Force-height-data quasistatic / Dynamic data at 1 Hz