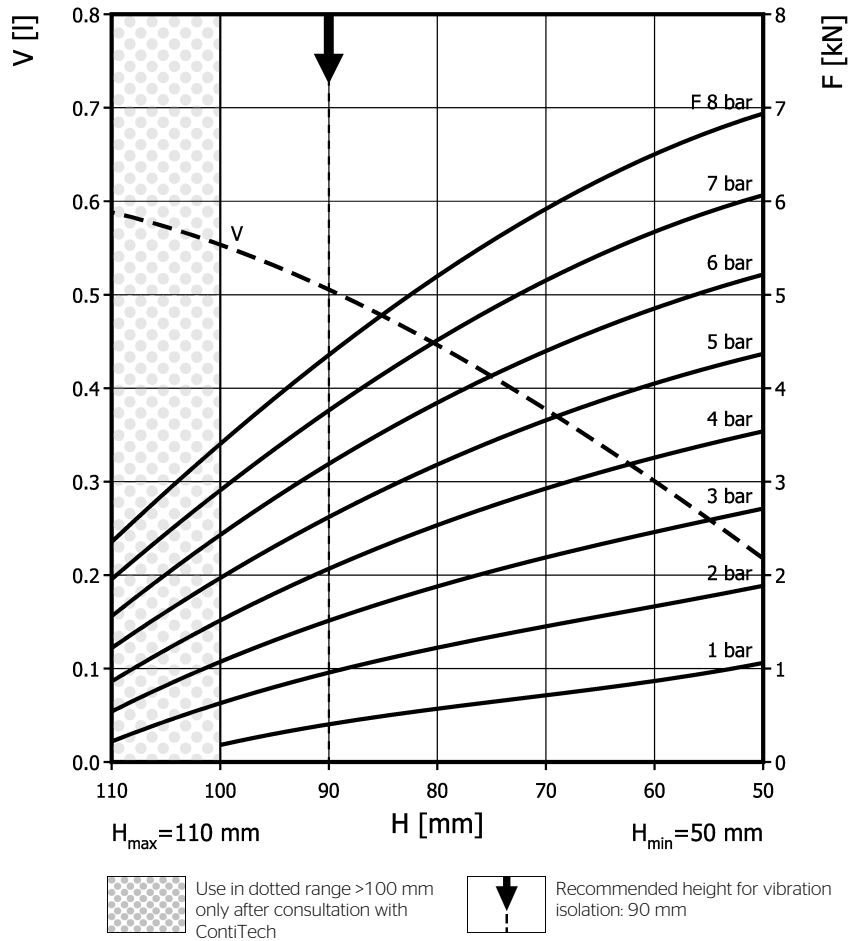
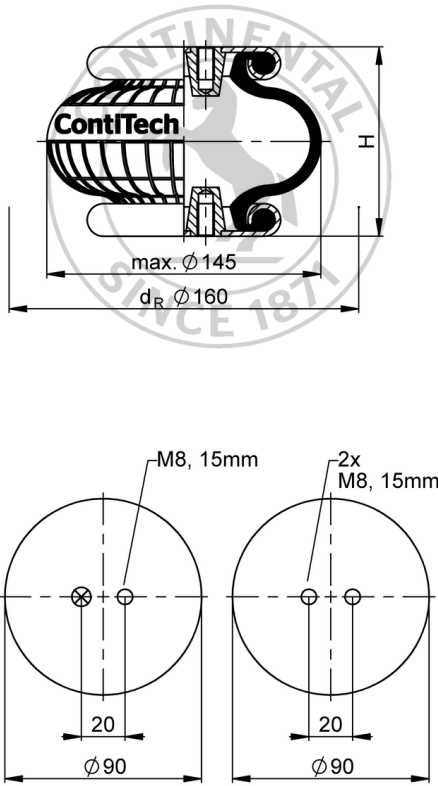


FS 40-6 CI

Single Convolution Air Actuator



Purchase order data

Type	Order No.
Rubber bellows only	72467
with crimped plates, G1/8 air inlet, A = 10 mm excentrical	2681001000
with stainless steel crimped plates, G1/8 air inlet, A = 10 mm excentrical	61744

Additional types on request

Technical data

Min. pressure	0 bar
Return force to min height	≤ 120 N
Overall weight	1.2 kg

Vibration isolation - dynamic characteristic values

Design height H: recommended 90mm, minimum 70mm

Pressure p [bar]	3	4	5	6	7	8	Vol. V [l]
Force (Load) [kN]	1.5	2.1	2.6	3.2	3.8	4.4	
Spring rate [N/mm]	79	96.5	115	132.5	150.5	168.5	
Natural frequency [Hz]	3.6	3.4	3.3	3.2	3.1	3.1	

Pneumatic application - static characteristic values

Force F [kN]

Pressure p [bar]	3	4	5	6	7	8	Vol. V [l]	
Height H [mm]	100	1.07	1.52	1.97	2.43	2.9		3.39
	90	1.5	2.06	2.62	3.19	3.76	4.36	0.51
	80	1.88	2.54	3.19	3.85	4.52	5.21	0.45
	70	2.2	2.94	3.67	4.41	5.16	5.92	0.38
	60	2.45	3.25	4.04	4.84	5.66	6.49	0.3



Service instructions
M8: max. 25 Nm
G1/8: max. 25 Nm

Measuring procedure: Room temperature / Force-height-data quasistatic / Dynamic data at 1 Hz