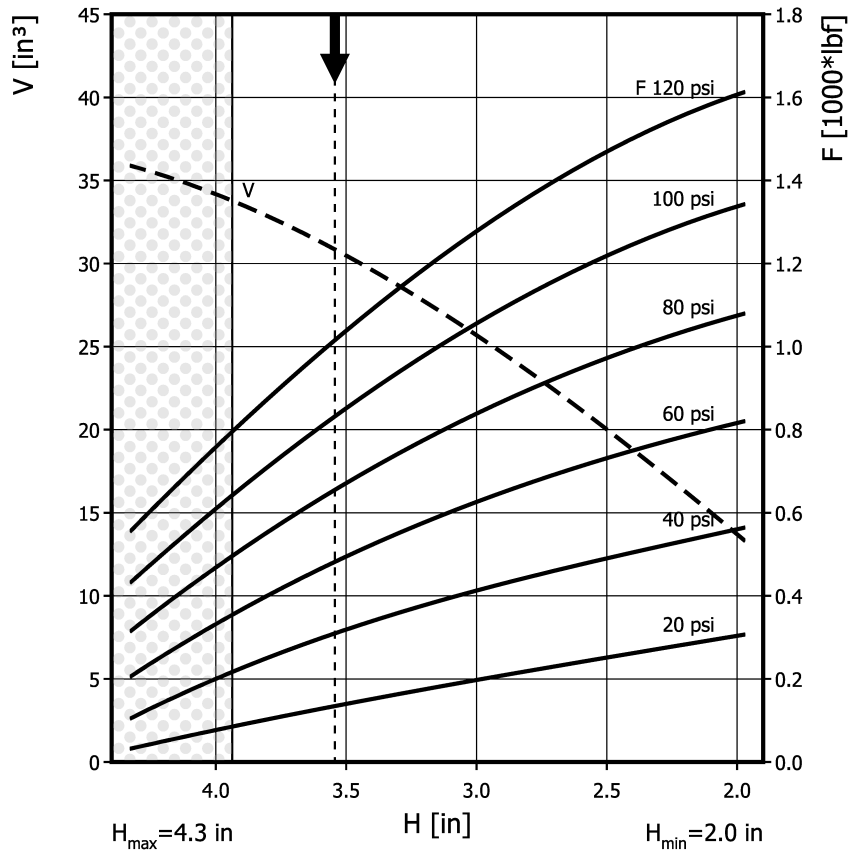
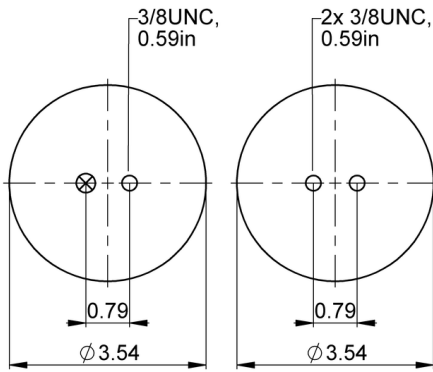
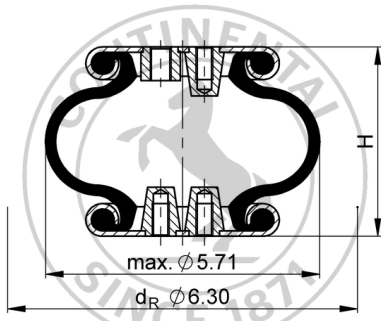


FS 40-6 CI

Single Convolution Air Actuator



Use in dotted range >3.94 in. only after consultation with ContiTech. Recommended height for vibration isolation: 3.54 in.

Purchase order data

Type	Order No.
Rubber bellows only	72467
with crimped plates, 1/8 NPT air inlet A = 0.394 in. excentrical	63029

Additional types on request

Technical data

Min. pressure	0	psi
Return force to min height	≤ 27	lbf
Overall weight	2.6	lb

Vibration isolation - dynamic characteristic values

Design height H: recommended 3.54 inch, minimum 2.76 inch

Pressure p [psi]	40	60	80	100	120	Vol. V [in.³]
Force (Load) [lbf]	305	487	654	840	1030	
Spring rate [lbf/in.]	427	565	708	849	990	
Natural frequency [Hz]	3.7	3.4	3.3	3.1	3.1	

Pneumatic application - static characteristic values

Force F [lbf]

Pressure p [psi]	40	60	80	100	120	Vol. V [in.³]	
Height H [in.]	4.0	199	331	467	607		34
	3.5	317	492	669	850		30
	3.0	413	625	837	1050		26
	2.5	489	730	969	1210	20	



Service instructions
3/8-16 UNC: max. 20 lbf ft
1/8 NPT: max. 15 lbf ft

Measuring procedure: Room temperature / Force-height-data quasistatic / Dynamic data at 1 Hz