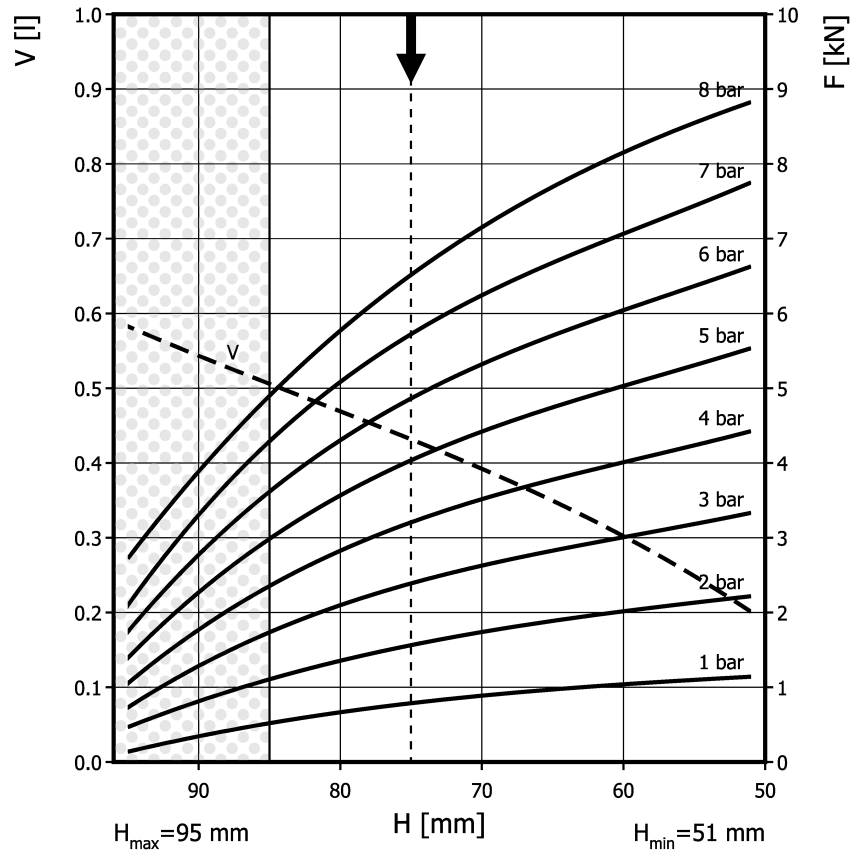
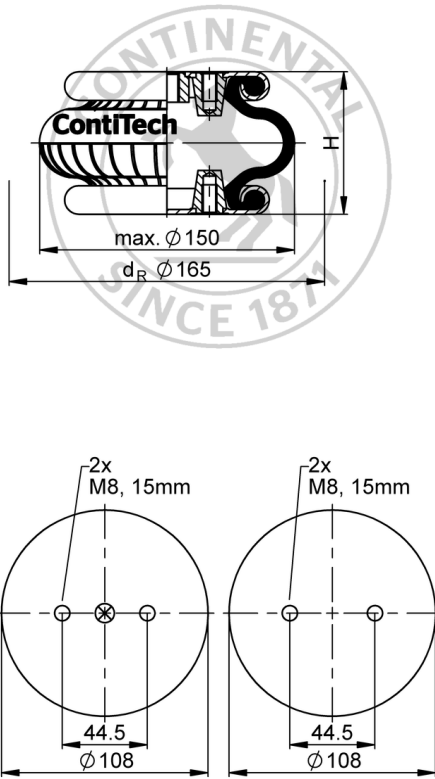


## FS 50-5 CI

## Single Convolution Air Actuator



Use in dotted range >85 mm only after consultation with ContiTech
 Recommended height for vibration isolation: 75 mm

## Purchase order data

Type	Order No.
Rubber bellows only	62242
with crimped plates, G1/4 air inlet A = 0 mm excentrical	61388
with stainless steel crimped plates, G1/4 air inlet A = 0 mm excentrical	61745

Additional types on request

## Technical data

Min. pressure	0 bar
Return force to min height	≤ 250 N
Overall weight	1.2 kg

**Vibration isolation - dynamic characteristic values**

Design height H: recommended 75mm, minimum 65mm

Pressure p [bar]	3	4	5	6	7	8	Vol. V [l]
Force (Load) [kN]	2.3	3	3.8	4.6	5.3	6.1	0.43
Spring rate [N/mm]	151	191	229	267	304	334	
Natural frequency [Hz]	3.9	3.8	3.7	3.7	3.6	3.6	

**Pneumatic application - static characteristic values**

Force F [kN]

Pressure p [bar]	3	4	5	6	7	8	Vol. V [l]
Height H [mm]	80	2.07	2.78	3.51	4.24	5	5.76
	70	2.62	3.5	4.4	5.3	6.22	7.15
	60	3.03	4.05	5.08	6.1	7.14	8.14



Service instructions  
 M8: max. 25 Nm  
 G1/4: max. 25 Nm

**Measuring procedure:** Room temperature / Force-height-data quasistatic / Dynamic data at 1 Hz