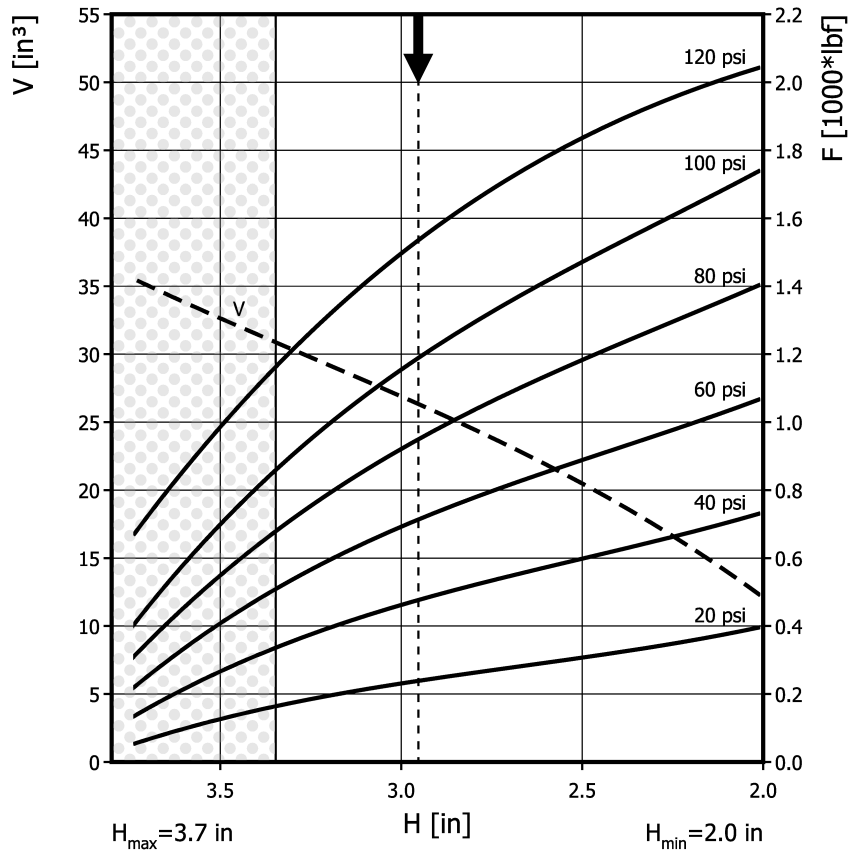
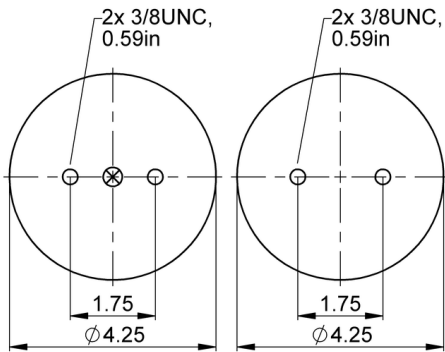
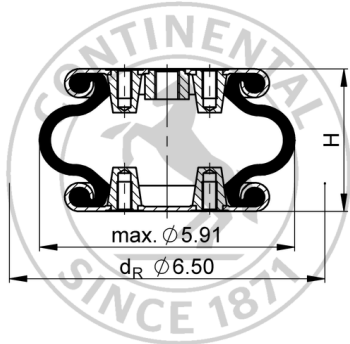


FS 50-5 CI

Single Convolution Air Actuator



Use in dotted range >3.35 in. only after consultation with ContiTech. Recommended height for vibration isolation: 2.95 in.

Purchase order data

Type	Order No.
Rubber bellows only	62242
with crimped plates, 1/4 NPT air inlet A = 0 in. excentrical	75246

Additional types on request

Technical data

Min. pressure	0	psi
Return force to min height	≤ 56	lbf
Overall weight	2.6	lb

Vibration isolation - dynamic characteristic values

Design height H: recommended 2.95 inch, minimum 2.56 inch

Pressure p	[psi]	40	60	80	100	120	Vol. V [in.³]
Force (Load)	[lbf]	479	699	947	1170	1420	
Spring rate	[lbf/in.]	807	1120	1420	1710	1950	
Natural frequency	[Hz]	3.9	3.8	3.7	3.6	3.6	

Pneumatic application - static characteristic values

Force F [lbf]

Pressure p	[psi]	40	60	80	100	120	Vol. V [in.³]
Height H [in.]	3.3	388	594	804	1020	1240	
	3.0	470	711	957	1210	1460	
	2.8	542	816	1100	1380	1670	
	2.5	596	897	1200	1510	1810	
	2.3	646	970	1300	1620	1950	
	2.0	696	1043	1400	1730	2090	



Service instructions
3/8-16 UNC: max. 20 lbf ft
1/4 NPT: max. 20 lbf ft

Measuring procedure: Room temperature / Force-height-data quasistatic / Dynamic data at 1 Hz