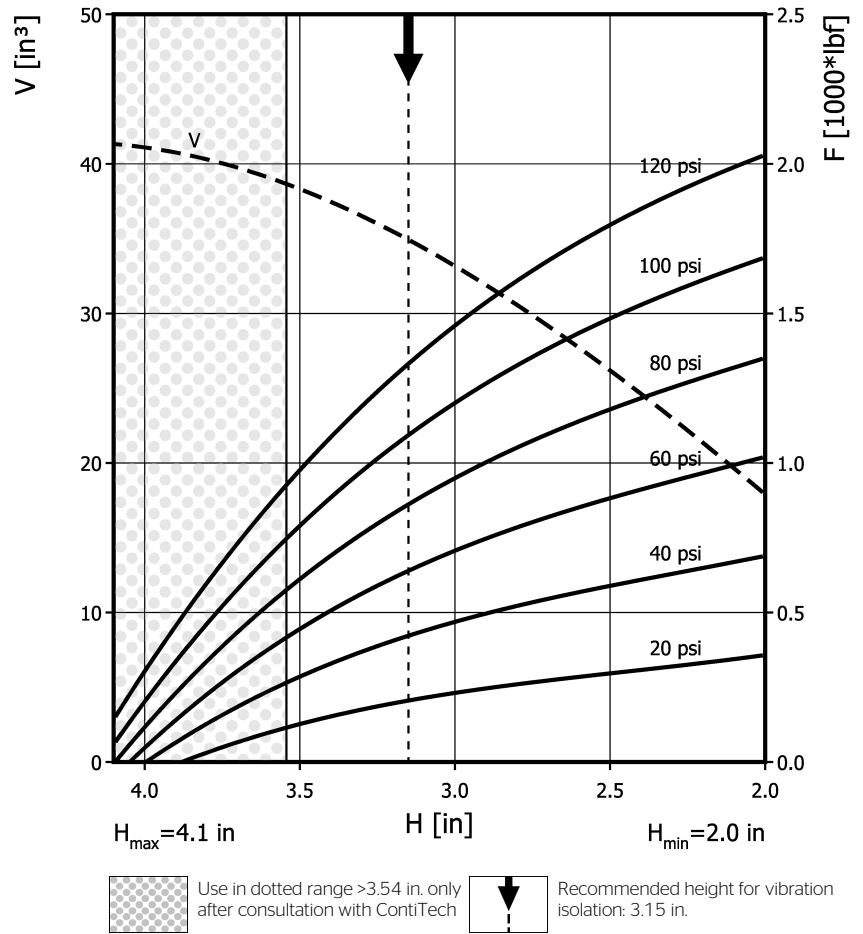
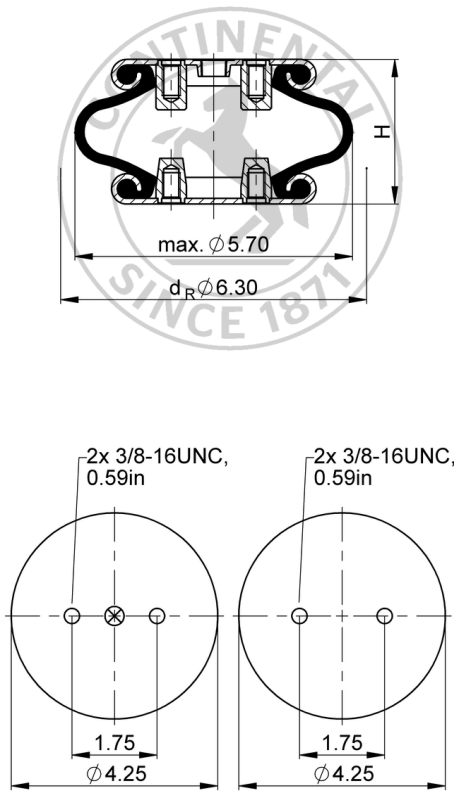


FS 50-6 CI

Single Convolution Air Actuator



Purchase order data

Type	Order No.
Rubber bellows only	on request
with crimped plates, 1/4 NPT air inlet A = 0 in. excentrical	77068
with crimped plates, 3/4 NPT air inlet A = 0 in. excentrical	77087
	76281

Additional types on request

Technical data

Min. pressure	0 psi
Return force to min height	≤ 34 lbf
Overall weight	2.6 lb

Vibration isolation - dynamic characteristic values

Design height H: recommended 3.15 inch, minimum 2.76 inch

Pressure p	[psi]	40	60	80	100	120	Vol. V [in.³]
Force (Load)	[lbf]	485	731	977	1220	1470	35.1
Spring rate	[lbf/in.]	657	917	1170	1430	1680	
Natural frequency	[Hz]	3.7	3.5	3.4	3.4	3.4	

Pneumatic application - static characteristic values

Force F [lbf]

Pressure p	[psi]	40	60	80	100	120	Vol. V [in.³]
Height H [in.]	3.3	383	584	790	1010	1230	36
	3.0	466	703	946	1200	1450	33
	2.8	533	803	1070	1360	1640	30
	2.5	591	883	1180	1480	1800	26



Service instructions
 3/8-16 UNC: max. 20 lbf ft
 1/4 NPT: max. 20 lbf ft
 3/4 NPT: max. 40 lbf ft

Measuring procedure: Room temperature / Force-height-data quasistatic / Dynamic data at 1 Hz