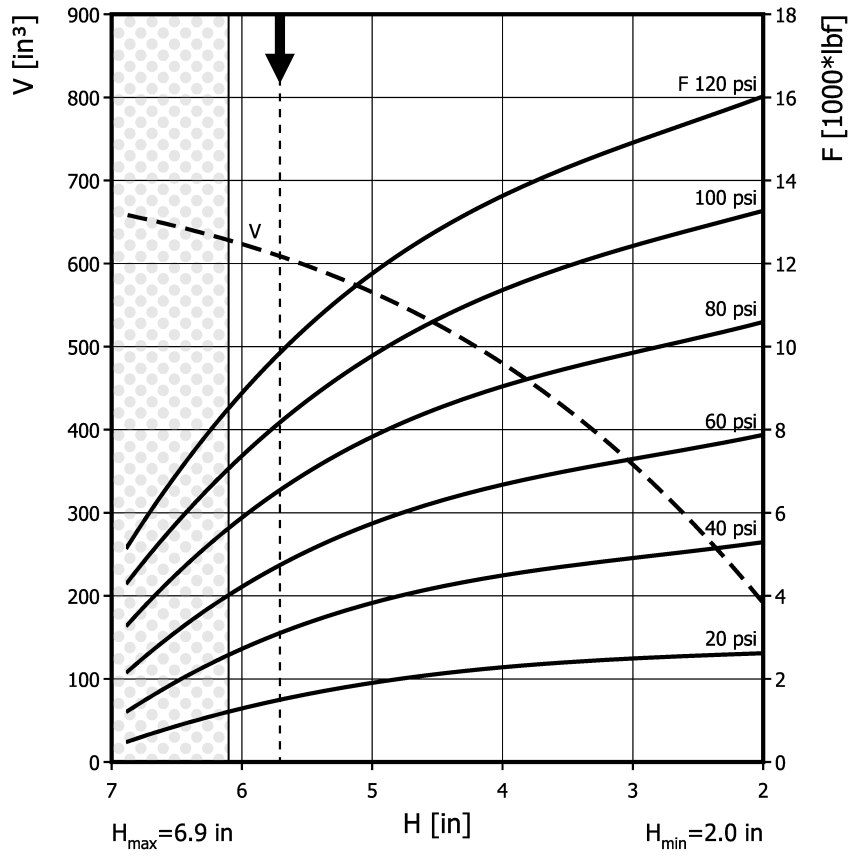
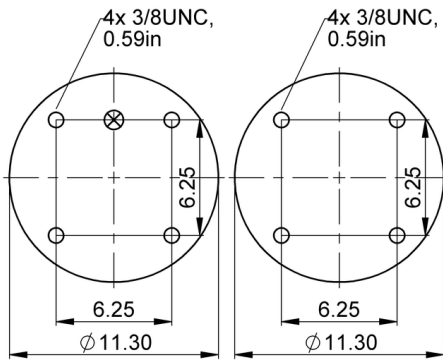
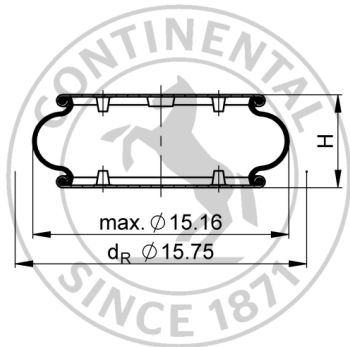


FS 530-11 CI

Single Convolution Air Actuator



Use in dotted range >6.10 in. only after consultation with ContiTech
 Recommended height for vibration isolation: 5.71 in.

Purchase order data

Type	Order No.
with crimped plates, 1/4 NPT air inlet A = 3.13 in. excentrical	76106 63540
with crimped plates, 3/4 NPT air inlet A = 3.13 in. excentrical	74094

Additional types on request

Technical data

Min. pressure	0 psi
Return force to min height	≤ 67 lbf
Overall weight	13 lb

Vibration isolation - dynamic characteristic values

Design height H: recommended 5.71 inch, minimum 4.33 inch

Pressure p [psi]	40	60	80	100	120	Vol. V [in.³]
Force (Load) [lbf]	3150	4720	6550	8170	9810	
Spring rate [lbf/in.]	2120	2940	3770	4580	5380	
Natural frequency [Hz]	2.6	2.5	2.4	2.3	2.3	

Pneumatic application - static characteristic values

Force F [lbf]

Pressure p [psi]	40	60	80	100	120	Vol. V [in.³]	
Height H [in.]	6.0	2770	4270	6000	7450		8970
	5.5	3310	5010	6930	8640		10400
	5.0	3780	5690	7720	9690		11700
	4.5	4180	6240	8430	10600		12700
	4.0	4460	6640	8990	11300		13600
	3.5	4740	7020	9520	12000		14400
	3.0	4930	7330	9930	12500	15000	



Service instructions
 3/8-16 UNC: max. 20 lbf ft
 1/4 NPT: max. 20 lbf ft
 3/4 NPT: max. 40 lbf ft

Measuring procedure: Room temperature / Force-height-data quasistatic / Dynamic data at 1 Hz