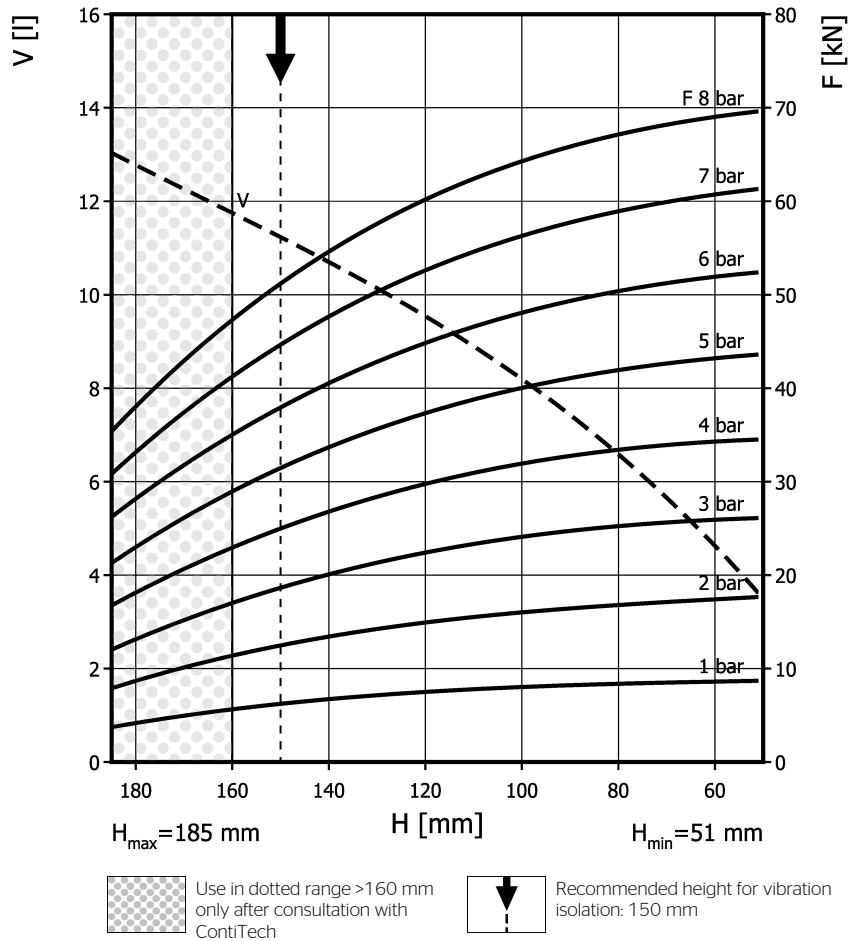
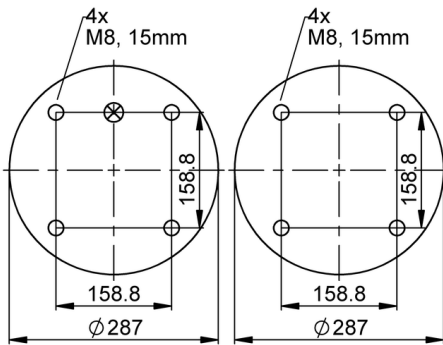
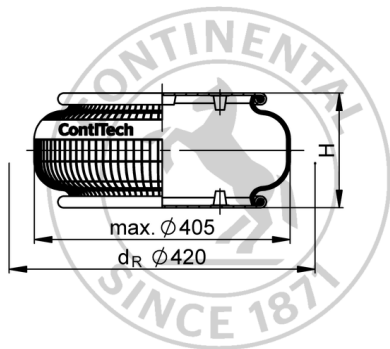


FS 530-14 CI

Single Convolution Air Actuator



Purchase order data

Type	Order No.
Rubber bellows only	60510
with crimped plates, G1/4 air inlet A = 79.4 mm excentrical	61360
with crimped plates, G3/4 air inlet A = 79.4 mm excentrical	66897
with crimped plates, G1 air inlet A = 79.4 mm excentrical	60435

Additional types on request



Service instructions
 M8: max. 25 Nm
 G1/4: max. 25 Nm
 G1: max. 50 Nm
 G3/4: max. 50 Nm

Technical data

Min. pressure	0 bar
Return force to min height	≤ 300 N
Overall weight	6.1 kg

Vibration isolation - dynamic characteristic values

Design height H: recommended 150mm, minimum 120mm

Pressure p [bar]	3	4	5	6	7	8	Vol. V [l]
Force (Load) [kN]	18.6	24.9	31.5	37.9	44.4	50.8	11
Spring rate [N/mm]	365	441	534	614	722	792	
Natural frequency [Hz]	2.2	2.1	2.1	2.0	2.0	2.0	

Pneumatic application - static characteristic values

Force F [kN]

Pressure p [bar]	3	4	5	6	7	8	Vol. V [l]
Height H [mm]	160	17.1	23	29	35	41.2	12
	140	20	26.8	33.7	40.5	47.7	11
	120	22.3	29.8	37.3	44.9	52.7	9.5
	100	24.1	31.9	40	48	56.3	8.2
	80	25.3	33.4	41.9	50.3	58.8	6.6
	60	26	34.5	43.4	52	60.8	4.6

Measuring procedure: Room temperature / Force-height-data quasistatic / Dynamic data at 1 Hz