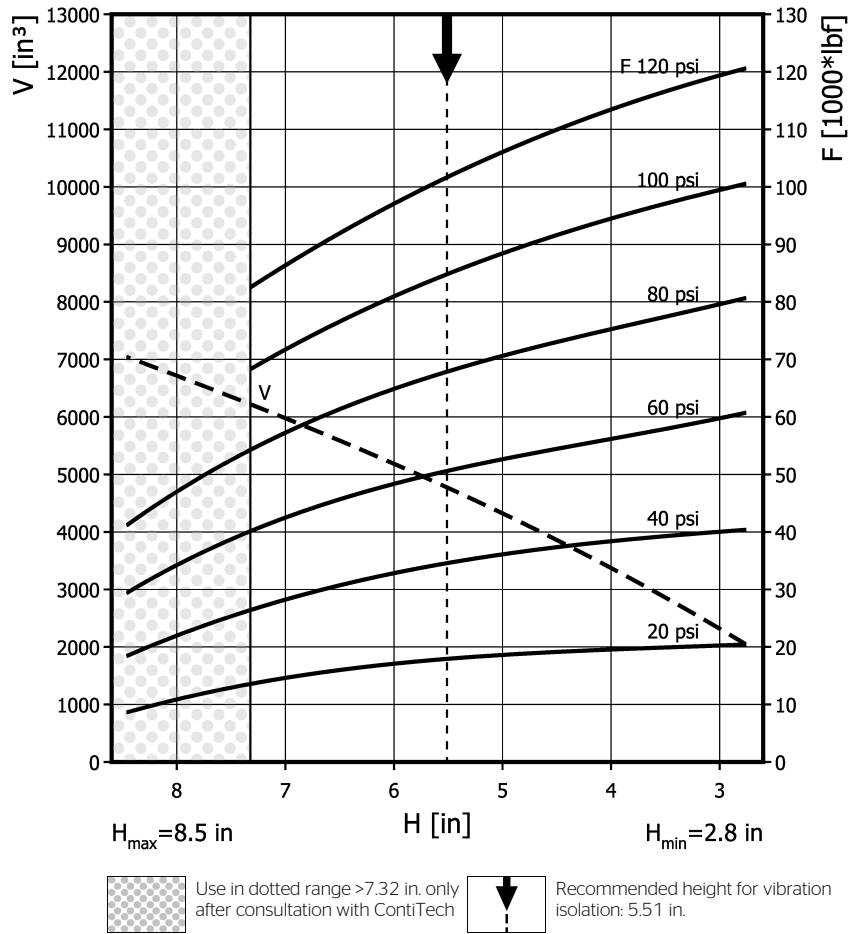
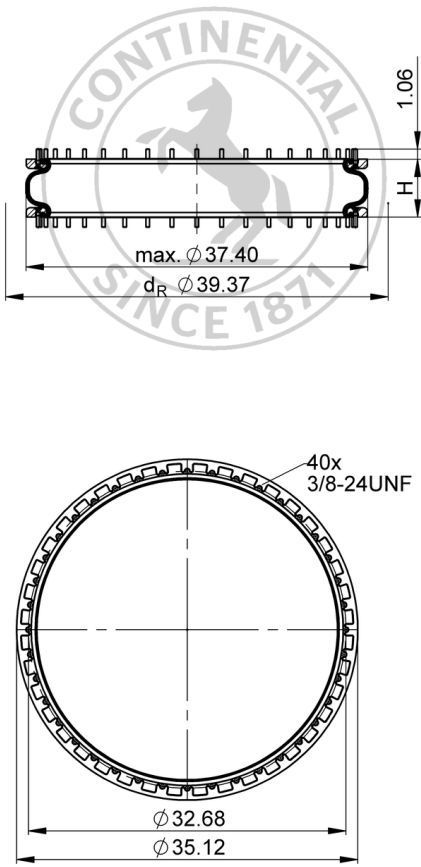


FS 5450-16 RS

Single Convolution Air Actuator



Purchase order data

Type	Order No.
Rubber bellows only	61785
WR SMS48	75385

Additional types on request

Technical data

Min. pressure	0 psi
Return force to min height	≤ 337 lbf
Overall weight	48.5 lb

Vibration isolation - dynamic characteristic values

Design height H: recommended 5.51 inch, minimum 4.72 inch

Pressure p [psi]	40	60	80	100	120	Vol. V [in.³]
Force (Load) [lbf]	33400	50500	67600	84800	102000	
Spring rate [lbf/in.]	13700	19400	24900	30300	35600	
Natural frequency [Hz]	2.0	2.0	1.9	1.9	1.9	

Pneumatic application - static characteristic values

Force F [lbf]

Pressure p [psi]	40	60	80	100	120	Vol. V [in.³]	
Height H [in.]	7.0	27900	42300	57100	71800		6000
	6.5	30500	45100	61000	76400		5600
	6.0	32500	47800	64500	80800		5200
	5.5	34200	50500	67800	84900		4700
	5.0	35900	52600	70400	88300		4300
	4.5	37500	54600	73100	91600		3800
	4.0	38900	56400	75600	94700		3400
	3.5	39300	58100	77600	96900		2900
	3.0	39800	59800	79500	99300		2300

Measuring procedure: Room temperature / Force-height-data quasistatic / Dynamic data at 1 Hz



Service instructions
3/8-24 UNF: max. 30 lbf ft