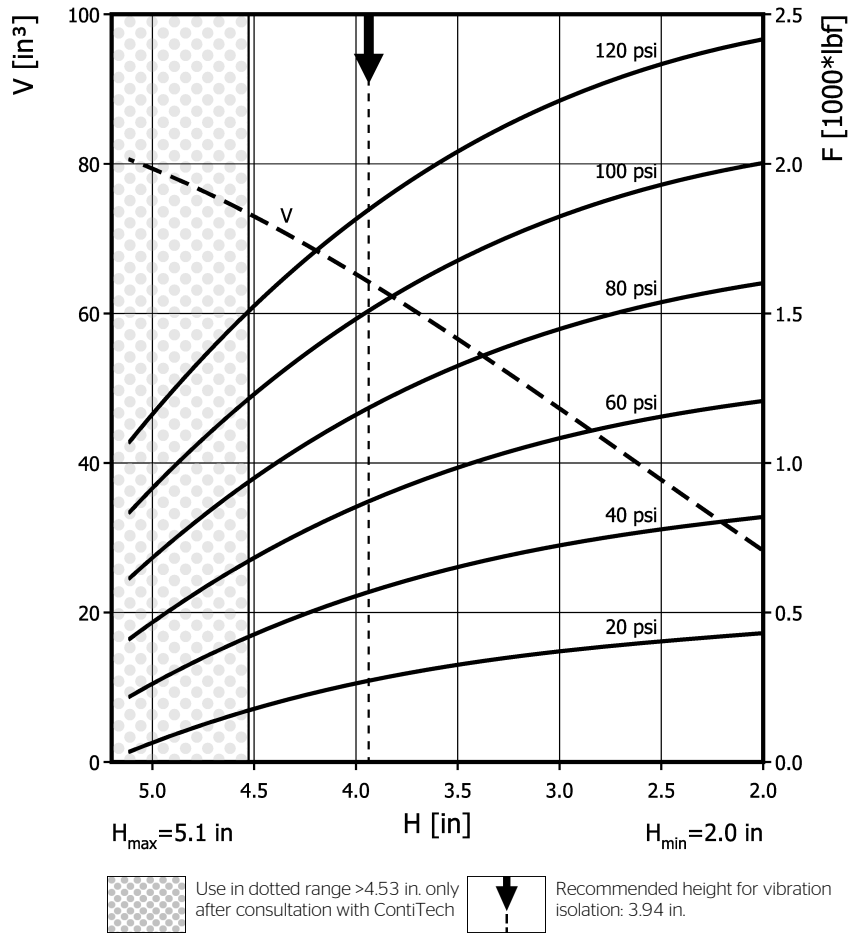
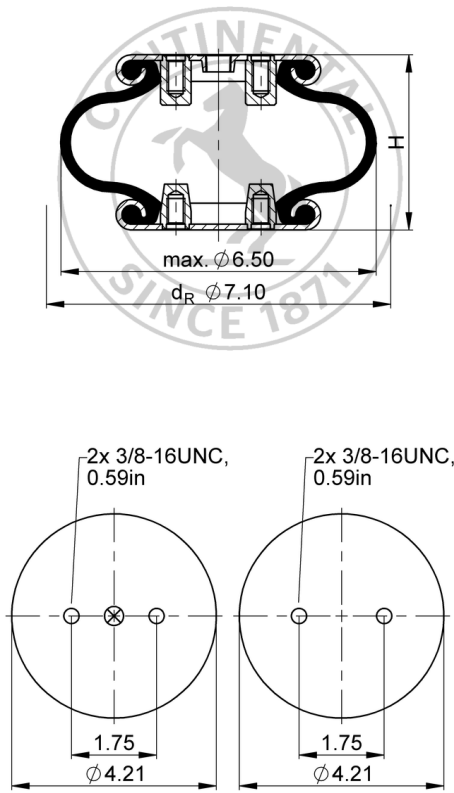


FS 70-8 CI

Single Convolution Air Actuator



Purchase order data

Type	Order No.
Rubber bellows only	on request
with crimped plates, 3/4 NPT air inlet A = 0 in. excentrical	77090
with crimped plates, 1/4 NPT air inlet A = 0 in. excentrical	77069

Additional types on request

Technical data

Min. pressure	0	psi
Return force to min height	≤ 45	lbf
Overall weight	2.6	lb

Vibration isolation - dynamic characteristic values

Design height H: recommended 3.94 inch, minimum 2.76 inch

Pressure p	[psi]	40	60	80	100	120	Vol. V [in.³]
Force (Load)	[lbf]	567	871	1180	1490	1800	
Spring rate	[lbf/in.]	545	726	904	1080	1260	
Natural frequency	[Hz]	3.0	2.9	2.8	2.7	2.6	

Pneumatic application - static characteristic values

Force F [lbf]

Pressure p	[psi]	40	60	80	100	120	Vol. V [in.³]
Height H [in.]	4.5	423	679	945	1230	1520	
	4.0	553	852	1160	1480	1810	
	3.5	652	983	1320	1670	2040	
	3.0	724	1080	1450	1820	2210	



Service instructions
 3/8-16 UNC: max. 20 lbf ft
 1/4 NPT: max. 20 lbf ft
 3/4 NPT: max. 40 lbf ft

Measuring procedure: Room temperature / Force-height-data quasistatic / Dynamic data at 1 Hz