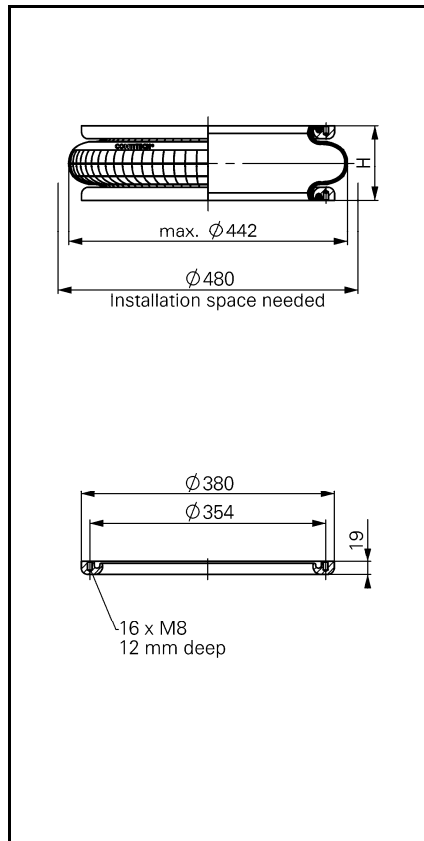
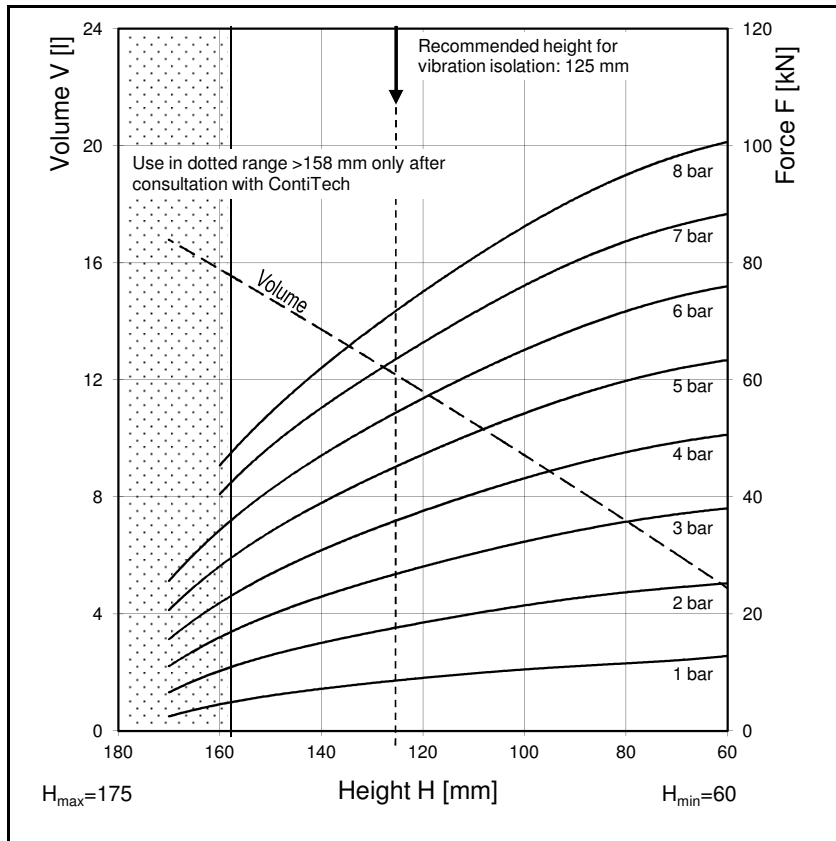


FS 960-12 ECO VP

CONTI® Single Convolution Air Spring



FS 960-12 ECO VP



Force-height diagram

Purchase order data

Type	Order No.
ECO rubber bellow only	69681
Bellows with bead rings	on request

Additional types on request

Technical data

Min. pressure	0 bar
Return force to min. height	≤ 300 N
Weight rubber bellows	2.2 kg

Vibration isolation - dynamic characteristic values

Design height H: recommended 125mm, minimum 110mm

Pressure p [bar]	3	4	5	6	7	8	Vol V [l]
Force (Load) [kN]	26.6	36.0	45.1	54.2	63.4	72.3	12.2
Spring rate [N/cm]	5870	7530	9140	10730	12360	13880	
Natural frequency [Hz]	2.3	2.3	2.3	2.2	2.2	2.2	

Pneumatic application - static characteristic values

Force F [kN]

Pressure p [bar]	3	4	5	6	7	8	Vol. [l]	
Height H [mm]	150	19.8	26.8	34.0	41.2	48.5	54.3	14.7
	130	25.9	34.4	43.4	52.3	61.2	69.0	12.5
	110	30.1	40.4	50.7	60.8	71.1	80.6	10.6
	90	34.3	45.6	57.3	68.8	80.4	91.0	8.3
	70	36.9	49.3	61.7	74.1	86.3	98.2	6.0



Service instructions
M8 = 25 Nm

Measuring procedure: Room temperature / Force- height- data quasistatic / Dynamic data at 1 Hz

Values measured by using bead rings with thickness s=19mm

