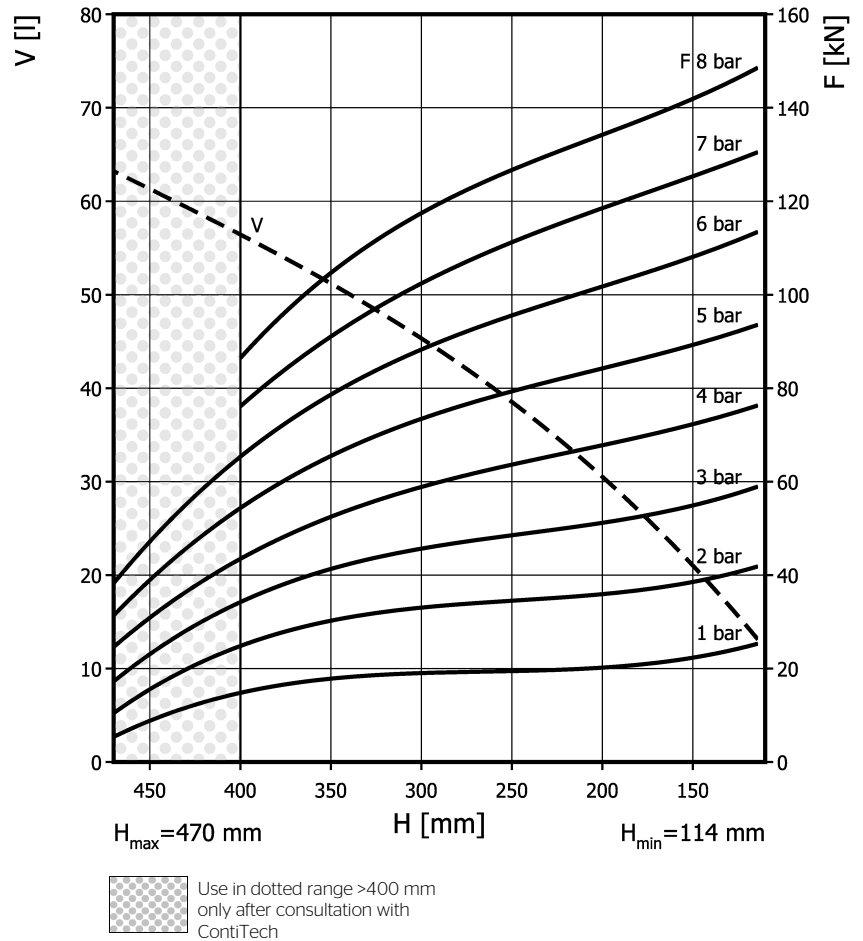
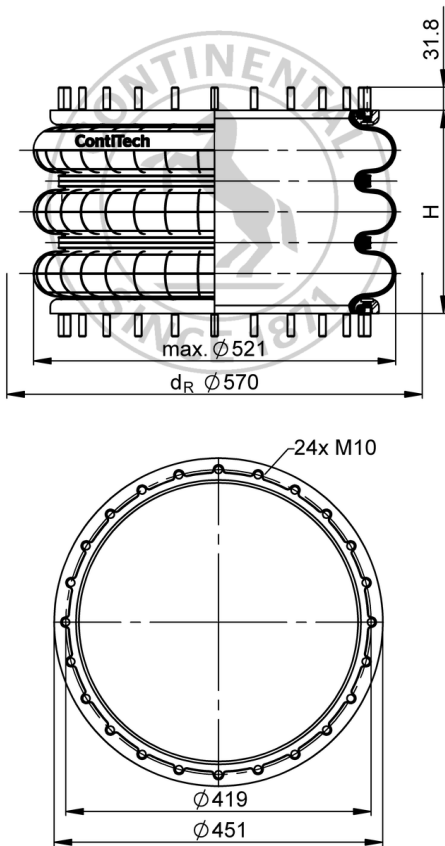


FT 1330-35 RS

Triple Convolution Air Actuator



Purchase order data

Type	Order No.
Rubber bellows only	61780
with bead rings, 48 mm bolts, nuts and washers	61910

Additional types on request

Technical data

Min. pressure	0 bar
Return force to min height	≤ 420 N
Overall weight	12.5 kg

Pneumatic application - static characteristic values

Force F [kN]								
Pressure p [bar]		3	4	5	6	7	8	Vol. V [l]
Height H [mm]	390	35.8	45.5	56.4	68.5	79.7	90.8	55
	350	41.3	52.7	65.6	77.8	90.5	105	51
	310	45.2	58	72.5	86.6	100	116	47
	270	47.3	62.2	77.5	93.5	108	123	42
	230	49.7	65.6	81.3	98.5	114	130	35
	190	51.7	68.1	84.5	103	120	135	29
	150	54.5	72.1	89.5	107	125	143	21


 Service instructions
 M10: max. 40 Nm

Measuring procedure: Room temperature / Force-height-data quasistatic / Dynamic data at 1 Hz