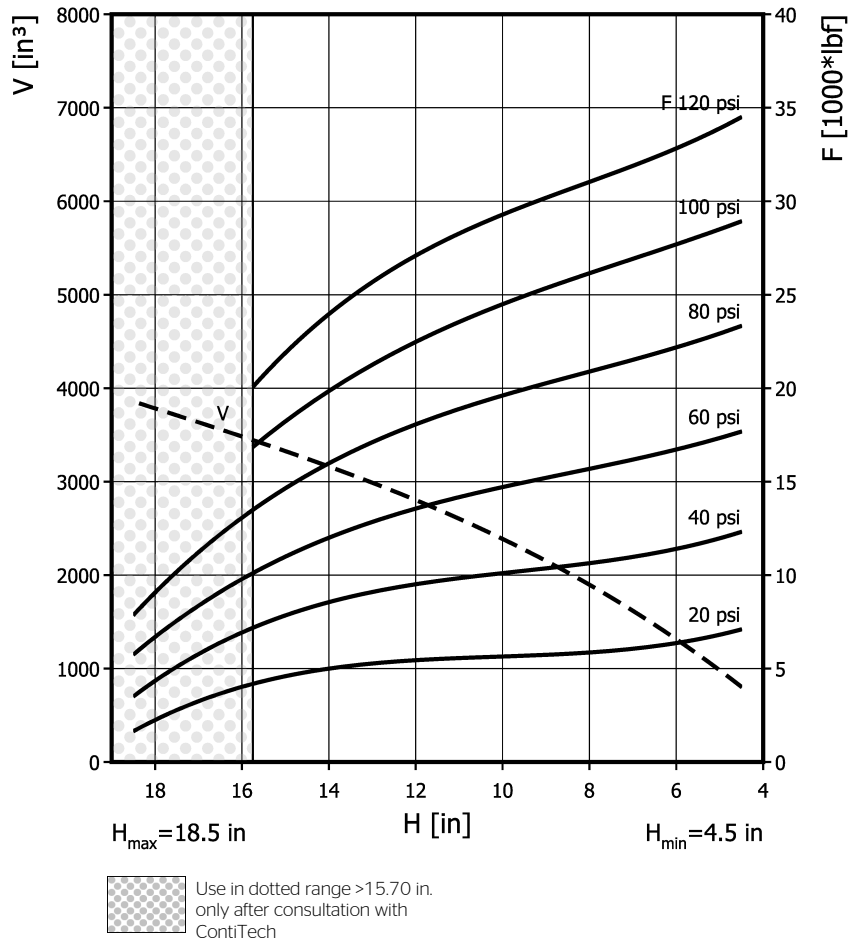
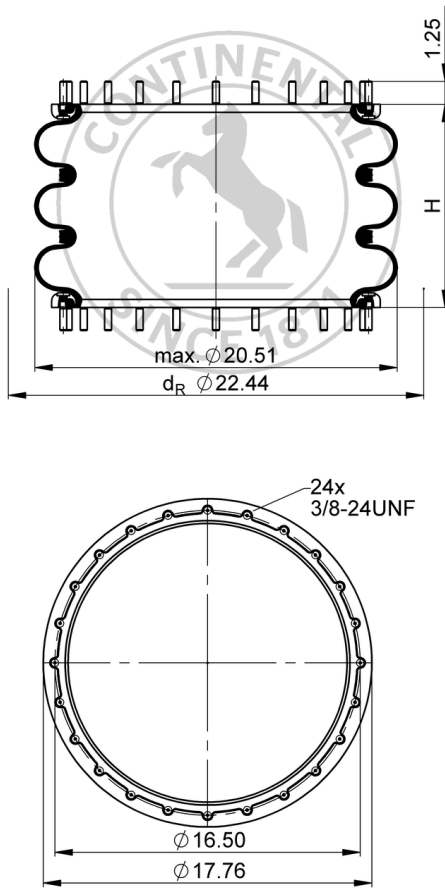


FT 1330-35 RS

Triple Convolution Air Actuator



Purchase order data

Type	Order No.
Rubber bellows only	61780
WR SMS48	62397

Additional types on request

Technical data

Min. pressure	0 psi
Return force to min height	≤ 94 lbf
Overall weight	27.6 lb

Pneumatic application - static characteristic values

Force F [lbf]	Pressure p [psi]	40	60	80	100	120	Vol. V [in.³]
Height H [in.]	15.0	7800	10900	14600	18200	21800	3300
	13.5	8850	12400	16500	20500	24800	3100
	12.0	9520	13600	18100	22400	27200	2800
	10.5	9960	14500	19400	24100	28800	2500
	9.0	10400	15300	20300	25400	30100	2100
	7.5	10800	15800	21100	26500	31400	1700
	6.0	11300	16700	22100	27700	33000	1300



Service instructions
3/8-24 UNF: max. 30 lbf ft

Measuring procedure: Room temperature / Force-height-data quasistatic / Dynamic data at 1 Hz