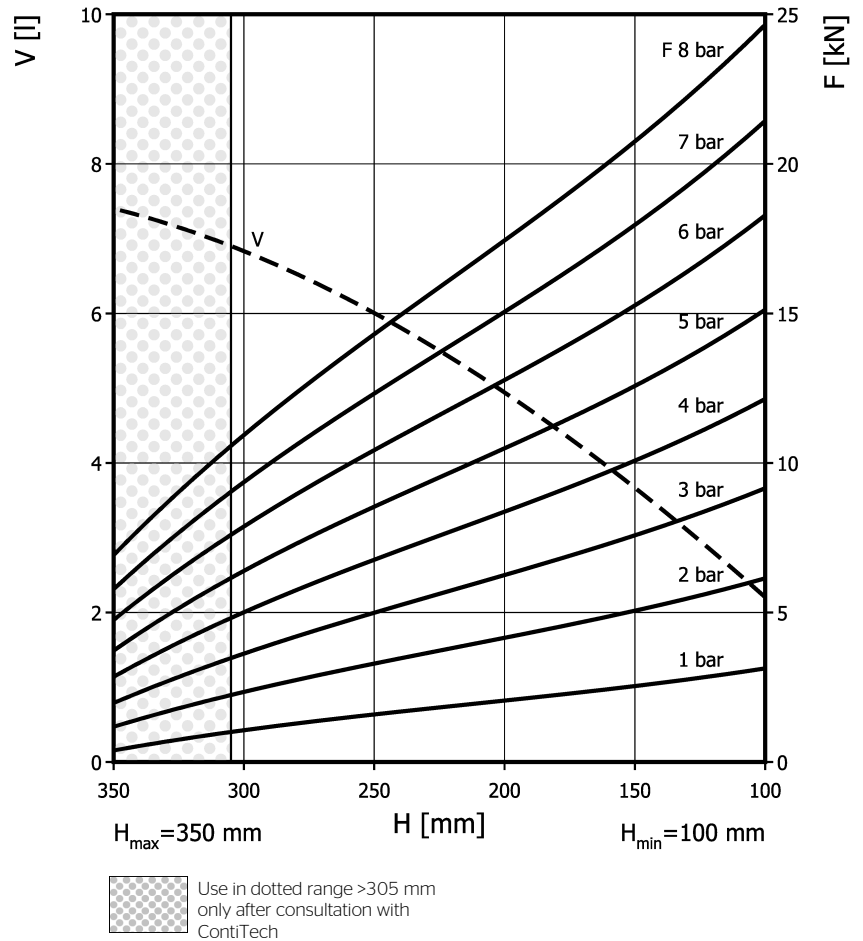
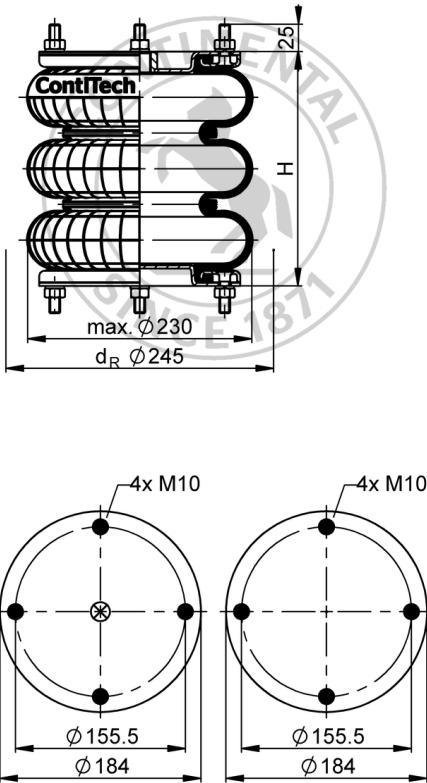


FT 138-26 DS

Triple Convolution Air Actuator



Purchase order data

Type	Order No.
Rubber bellows only	66502
with dismountable plates, G1/2 air inlet	66506

Additional types on request

Technical data

Min. pressure	0 bar
Return force to min height	$\leq 350 \text{ N}$
Overall weight	4.2 kg

Pneumatic application - static characteristic values

Force F [kN]								
Pressure p [bar]		3	4	5	6	7	8	Vol. V [l]
Height H [mm]	290	3.94	5.4	6.86	8.44	10	11.7	6.7
	240	5.25	7.11	8.96	10.9	12.9	14.9	5.8
	190	6.38	8.6	10.8	13.2	15.5	18	4.7
	140	8.01	10.6	13.1	15.9	18.7	21.6	3.4



Service instructions
 M10: max. 25 Nm
 G1/2: max. 25 Nm

Measuring procedure: Room temperature / Force-height-data quasistatic / Dynamic data at 1 Hz