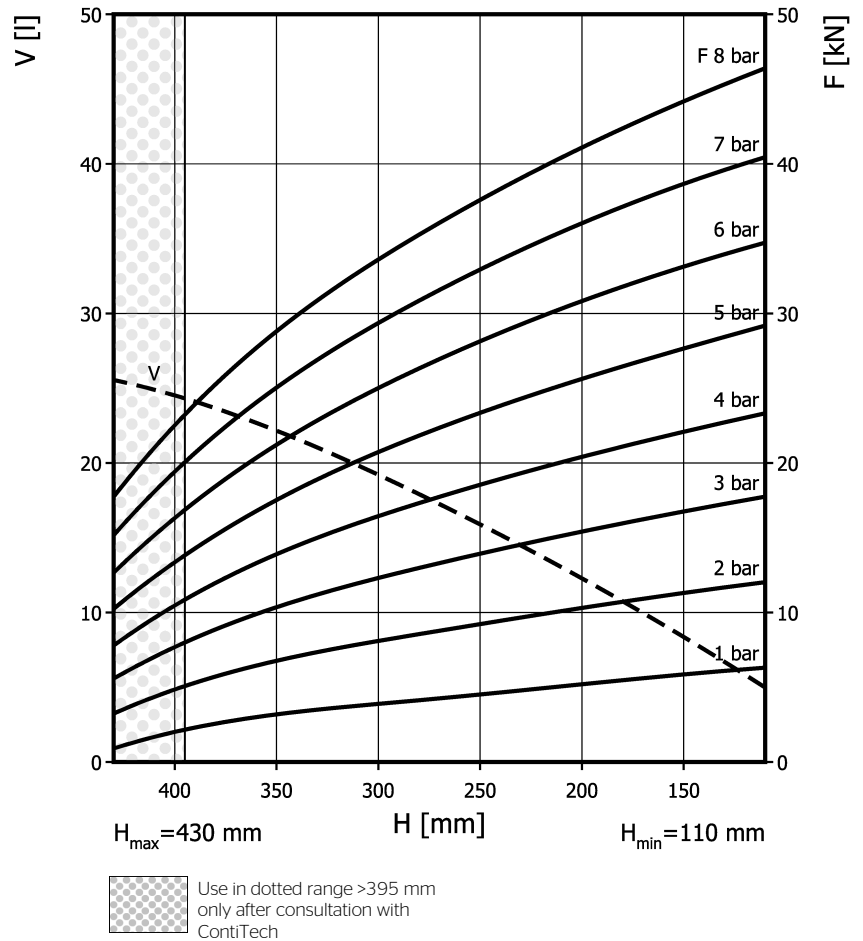
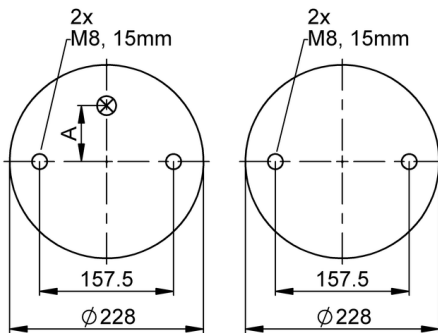
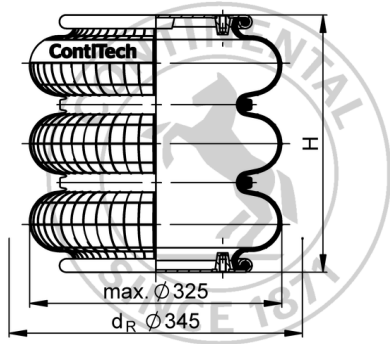


FT 330-29 CI

Triple Convolution Air Actuator



Purchase order data

Type	Order No.
Rubber bellows only	61833
with crimped plates, G1/4 air inlet A = 73 mm excentrical	61831
with crimped plates, G3/4 air inlet A = 73 mm excentrical	75140
with crimped plates, G1 air inlet A = 73 mm excentrical	61830

Additional types on request

Technical data

Min. pressure	0 bar
Return force to min height	≤ 400 N
Overall weight	5.9 kg

Pneumatic application - static characteristic values

Force F [kN]								
Pressure p [bar]		3	4	5	6	7	8	Vol. V [l]
Height H [mm]	380	8.75	11.9	15.1	18.4	21.7	25.1	24
	340	10.7	14.4	18.2	22	25.9	29.8	22
	300	12.3	16.5	20.8	25.1	29.4	33.7	19
	260	13.7	18.2	22.9	27.6	32.3	36.9	17
	220	14.8	19.5	24.6	29.6	34.6	39.5	14
	180	15.9	21.1	26.5	31.8	37.2	42.4	11
	140	16.9	22.4	28.1	33.6	39.1	44.7	7.5



Service instructions
 M8: max. 25 Nm
 G1/4: max. 25 Nm
 G1: max. 50 Nm
 G3/4: max. 50 Nm

Measuring procedure: Room temperature / Force-height-data quasistatic / Dynamic data at 1 Hz