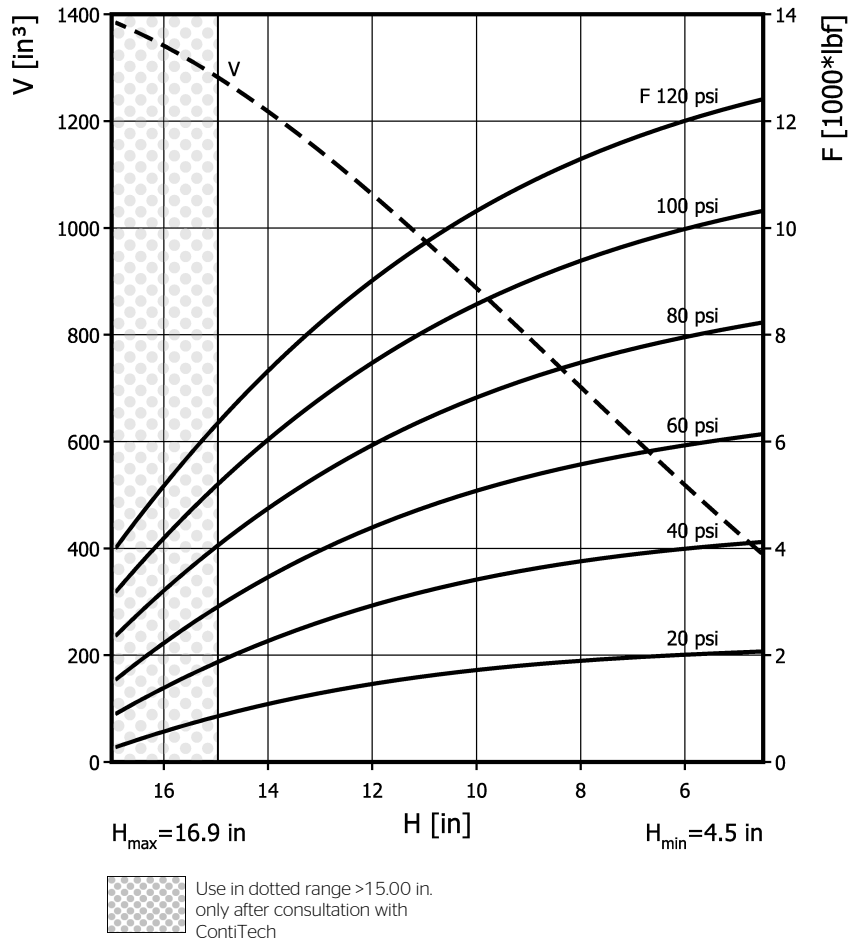
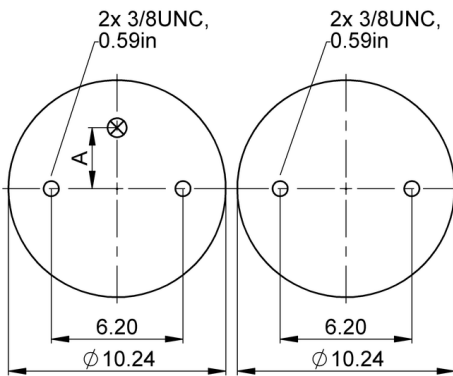
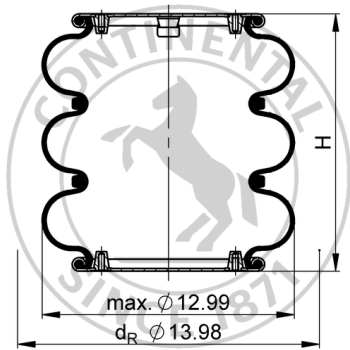


FT 430-32 CI

Triple Convolution Air Actuator



Purchase order data
Technical data

Type	Order No.
Rubber bellows only	on request
with crimped plates, 1/4 NPT air inlet A = 2.87 in. excentrical	75376
with crimped plates, 3/4 NPT air inlet A = 2.87 in. excentrical	70140

Additional types on request

Min. pressure	0 psi
Return force to min height	≤ 107 lbf
Overall weight	15 lb

Pneumatic application - static characteristic values

Force F [lbf]							Vol. V [in.³]
Pressure p [psi]	40	60	80	100	120		
Height H [in.]	13.5	2450	3720	5070	6410	7760	1200
	12.0	2900	4350	5890	7430	8970	1100
	10.5	3280	4910	6610	8310	10000	930
	9.0	3600	5350	7180	9010	10800	790
	7.5	3840	5680	7620	9550	11500	650
	6.0	4000	5920	7930	9950	12000	520



Service instructions
 3/8-16 UNC: max. 20 lbf ft
 1/4 NPT: max. 20 lbf ft
 3/4 NPT: max. 40 lbf ft

Measuring procedure: Room temperature / Force-height-data quasistatic / Dynamic data at 1 Hz