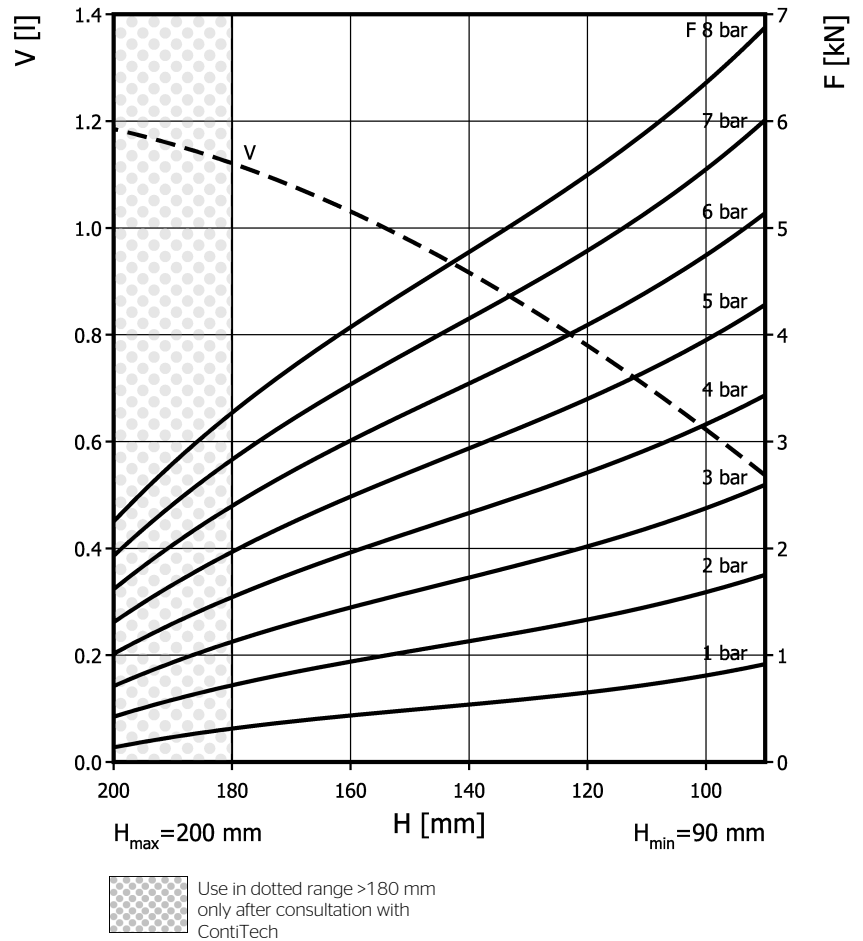
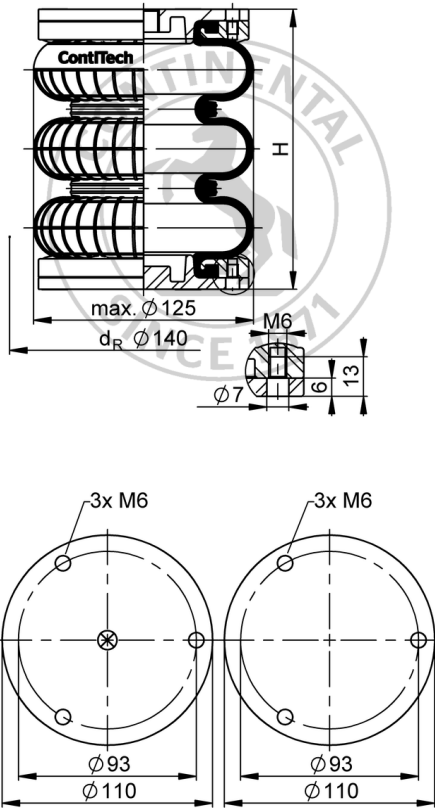


FT 44-15 DI CR

Triple Convolution Air Actuator



Purchase order data

Type	Order No.
Rubber bellows only	70202
	70207

Additional types on request

Technical data

Min. pressure	0 bar
Return force to min height	≤ 100 N
Overall weight	1.05 kg

Pneumatic application - static characteristic values

Force F [kN]								
Pressure p [bar]		3	4	5	6	7	8	Vol. V [l]
Height H [mm]	180	1.12	1.52	1.94	2.37	2.8	3.23	1.1
	160	1.44	1.96	2.49	3.01	3.55	4.08	1
	140	1.75	2.36	2.97	3.58	4.19	4.81	0.92
	120	2.01	2.69	3.38	4.07	4.76	5.47	0.78



Service instructions
 M6: max. 5 Nm
 G3/8: max. 15 Nm

Measuring procedure: Room temperature / Force-height-data quasistatic / Dynamic data at 1 Hz