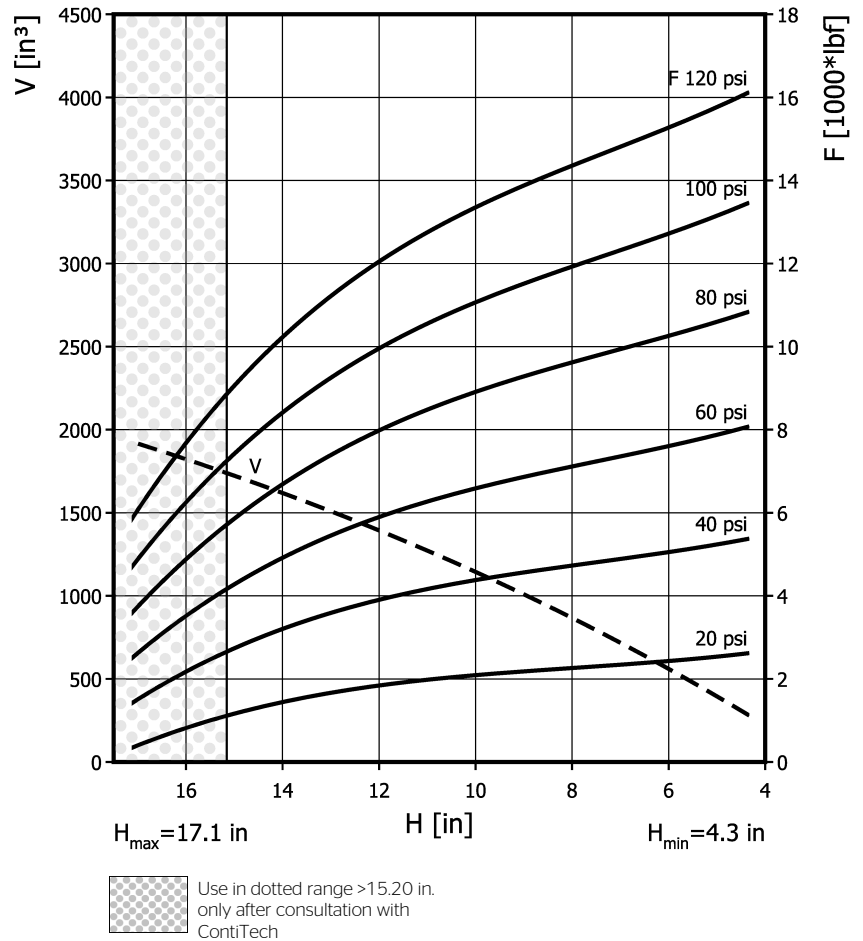
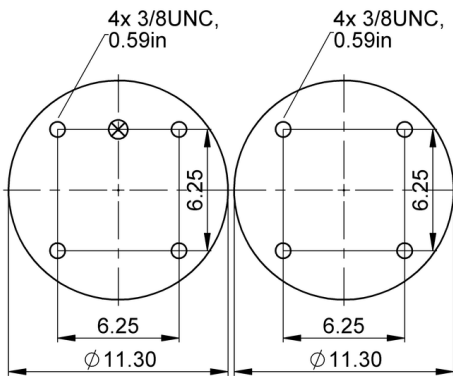
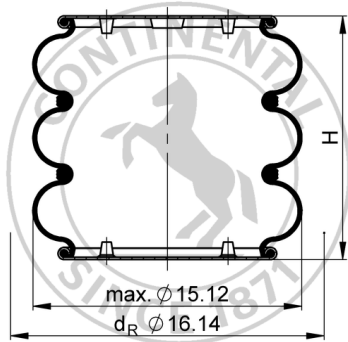


FT 530-32 CI

Triple Convolution Air Actuator


Purchase order data
Technical data

Type	Order No.
Rubber bellows only	68739
with crimped plates, 3/4 NPT air inlet A = 3.13 in. excentrical	75257

Additional types on request

Min. pressure	0 psi
Return force to min height	≤ 112 lbf
Overall weight	17.6 lb

Pneumatic application - static characteristic values

Force F [lbf]							
Pressure p [psi]	40	60	80	100	120	Vol. V [in.³]	
Height H [in.]	13.5	3390	5190	7050	8810	10700	1600
	12.0	3880	5860	7950	9910	12000	1400
	10.5	4260	6400	8670	10800	13000	1200
	9.0	4550	6860	9270	11500	13900	1000
	7.5	4810	7240	9770	12100	14600	800
	6.0	5080	7620	10300	12700	15300	560
	4.5	5330	8020	10800	13400	16000	310



Service instructions
 3/8-16 UNC: max. 20 lbf ft
 3/4 NPT: max. 40 lbf ft

Measuring procedure: Room temperature / Force-height-data quasistatic / Dynamic data at 1 Hz