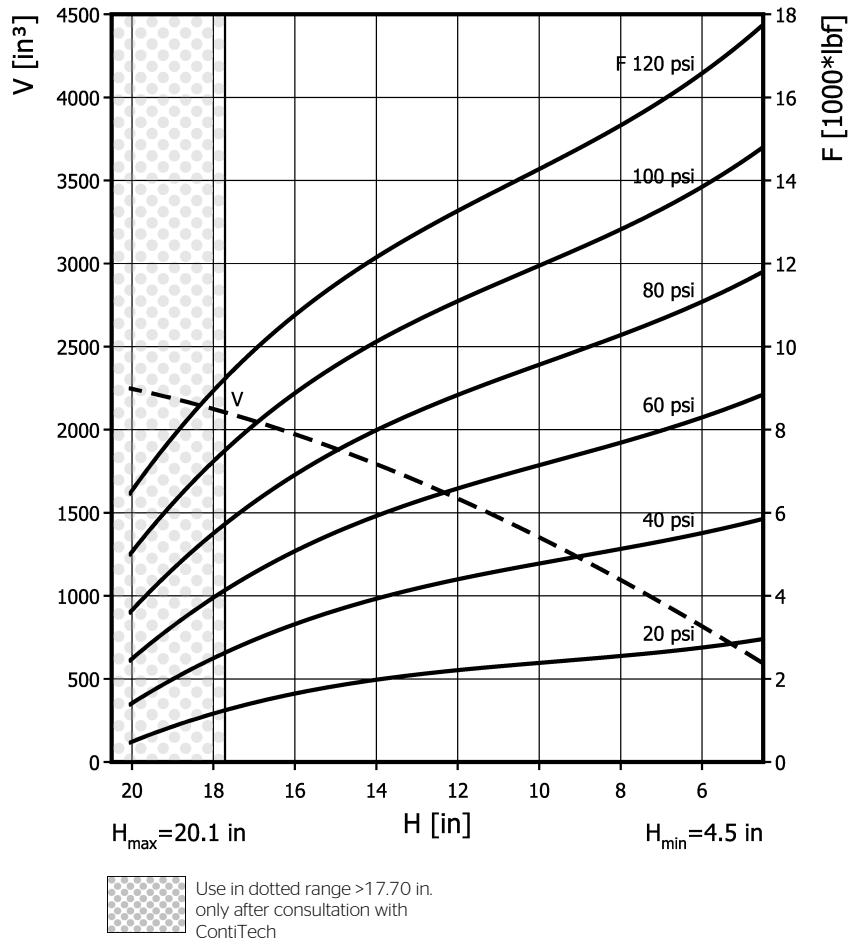
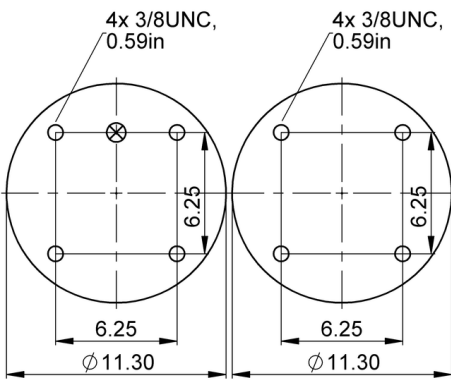
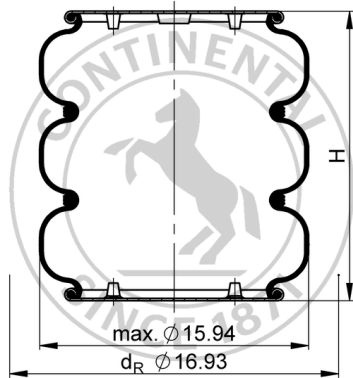


FT 530-35 CI

Triple Convolution Air Actuator



Purchase order data
Technical data

Type	Order No.
	70424
with crimped plates A = 3.13 in. excentrical	64584
with crimped plates A = 3.13 in. excentrical	66294

Additional types on request

Min. pressure	0 psi
Return force to min height	≤ 112 lbf
Overall weight	20.9 lb

Pneumatic application - static characteristic values

Force F [lbf]							
Pressure p	[psi]	40	60	80	100	120	Vol. V [in.³]
Height H [in.]	15.0	3650	5530	7460	9460	11400	1900
	12.5	4260	6410	8650	10900	13100	1600
	10.0	4760	7180	9600	12000	14400	1300
	7.5	5250	7820	10400	13000	15600	1000
	5.0	5730	8660	11600	14500	17300	670


 Service instructions
 3/8-16 UNC: max. 20 lbf ft

Measuring procedure: Room temperature / Force-height-data quasistatic / Dynamic data at 1 Hz