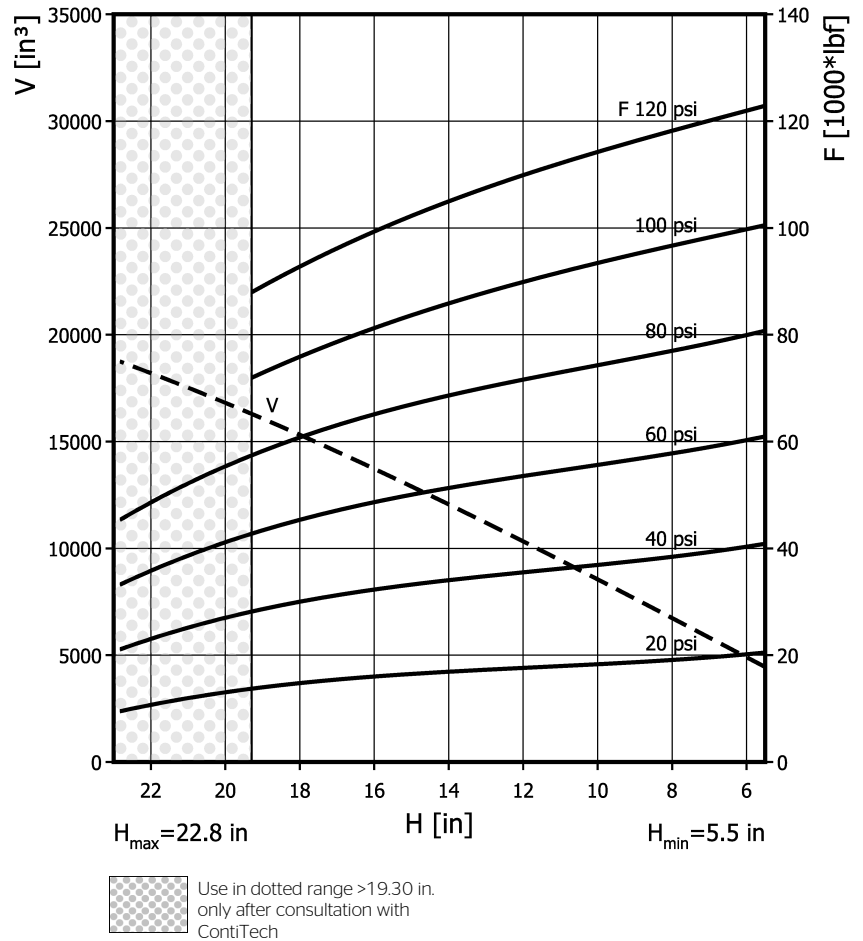
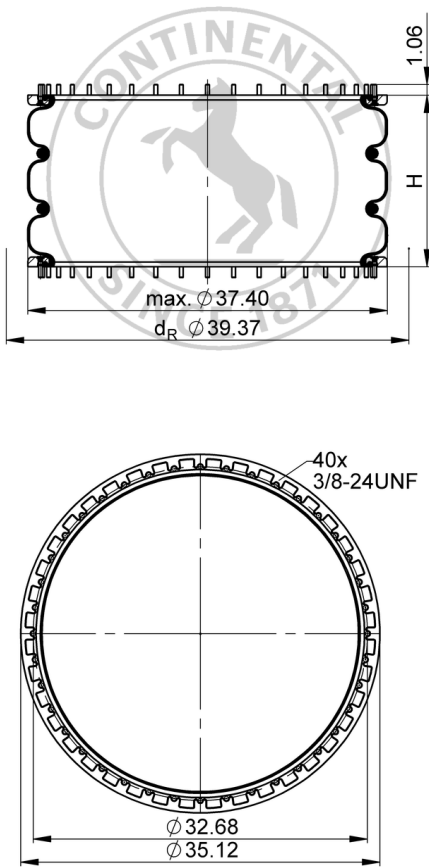


## FT 5450-44 RS

## Triple Convolution Air Actuator



## Purchase order data

Type	Order No.
Rubber bellows only	61787
WR SMS48	75399

Additional types on request

## Technical data

Min. pressure	0 psi
Return force to min height	≤ 1686 lbf
Overall weight	97 lb

## Pneumatic application - static characteristic values

Force F [lbf]							Vol. V [in.³]
Pressure p [psi]	40	60	80	100	120		
Height H [in.]	20.0	27500	41500	55700	17000		
	17.5	30300	45900	61600	77200	94400	15000
	15.0	32800	49700	66700	83600	10200	13000
	12.5	35200	52900	70800	88900	10900	11000
	10.0	37100	55900	74400	93300	11400	8600
	7.5	39000	58600	78000	97600	11900	6300


 Service instructions  
 3/8-24 UNF: max. 30 lbf ft

Measuring procedure: Room temperature / Force-height-data quasistatic / Dynamic data at 1 Hz