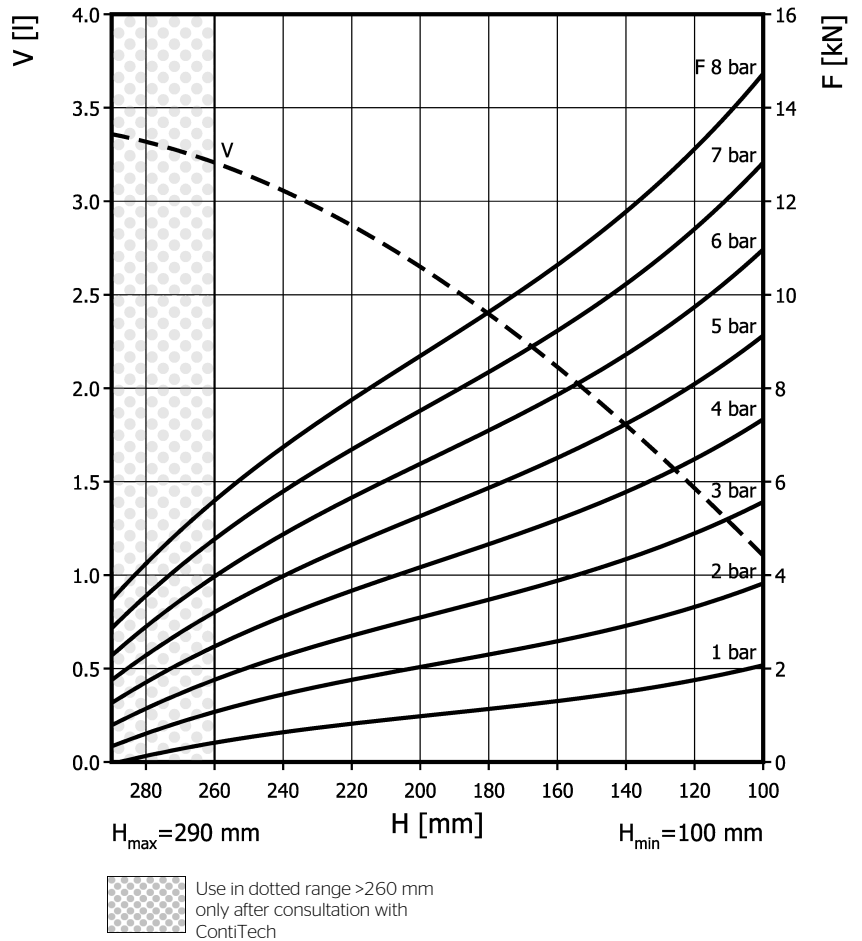
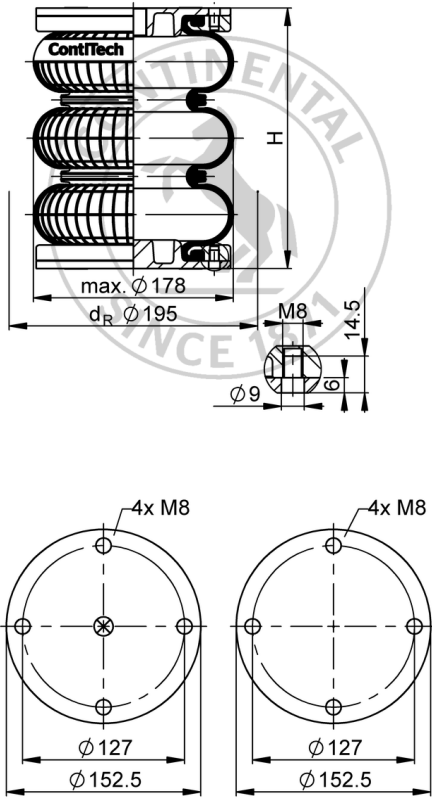


FT 76-20 DI CR

Triple Convolution Air Actuator



Purchase order data

| | |
|---|-----------|
| Type | Order No. |
| Rubber bellows only | 70204 |
| CR-Rubber bellows, with dismountable aluminium plates, G1/2 air inlet | 70209 |

Additional types on request

Technical data

| | |
|----------------------------|--------------|
| Min. pressure | 0 bar |
| Return force to min height | ≤ 250 N |
| Overall weight | 2 kg |

Pneumatic application - static characteristic values

| Force F [kN] | | | | | | | | |
|--------------------|-----|------|------|------|------|------|------|--------------|
| Pressure p [bar] | | 3 | 4 | 5 | 6 | 7 | 8 | Vol. V [l] |
| Height H [mm] | 260 | 1.75 | 2.46 | 3.19 | 3.95 | 4.74 | 5.56 | 3.2 |
| | 220 | 2.69 | 3.65 | 4.63 | 5.64 | 6.67 | 7.74 | 2.9 |
| | 180 | 3.51 | 4.71 | 5.93 | 7.17 | 8.43 | 9.71 | 2.4 |
| | 140 | 4.27 | 5.69 | 7.12 | 8.6 | 10.1 | 11.7 | 1.8 |
| | 100 | 5.55 | 7.32 | 9.1 | 10.9 | 12.8 | 14.7 | 1.1 |



Service instructions
M8: max. 12 Nm
G1/2: max. 25 Nm

Measuring procedure: Room temperature / Force-height-data quasistatic / Dynamic data at 1 Hz