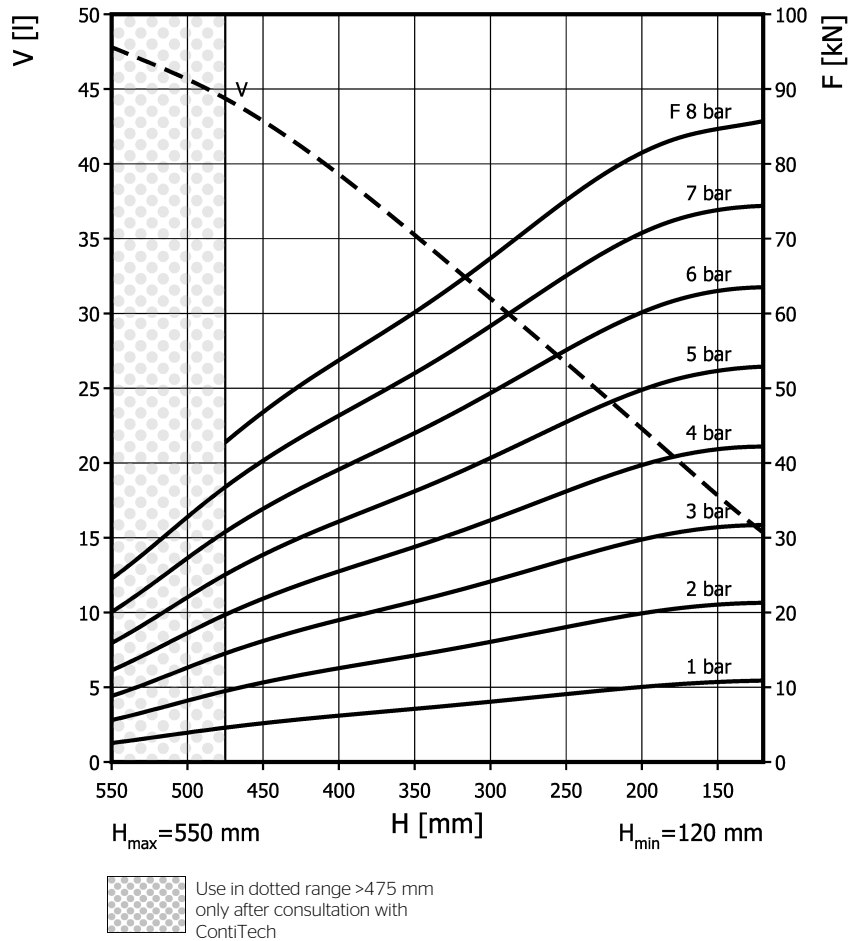
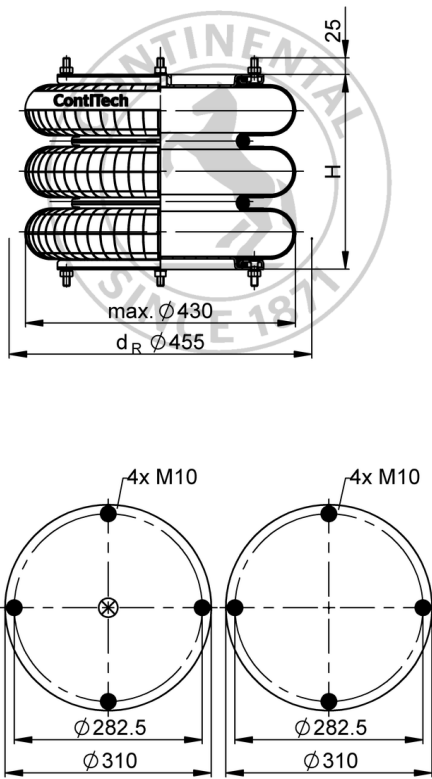


FT 816-40 DS

Triple Convolution Air Actuator



Purchase order data

Type	Order No.
Rubber bellows only	68051
with dismountable plates, G1/2 air inlet	68053

Additional types on request

Technical data

Min. pressure	0 bar
Return force to min height	≤ 100 N
Overall weight	10.4 kg

Pneumatic application - static characteristic values

Force F [kN]								
Pressure p [bar]		3	4	5	6	7	8	Vol. V [l]
Height H [mm]	450	16.1	21.8	27.6	33.8	40.2	46.8	43
	400	19.1	25.6	32.3	39.3	46.5	53.8	39
	350	21.5	28.8	36.2	44	51.9	60	35
	300	24.1	32.2	40.5	49.2	58.2	67.4	31
	250	27.1	36.3	45.5	55.2	65.1	75.2	27
	200	29.8	39.7	49.8	60.1	70.8	81.5	22
	150	31.4	41.8	52.3	63	73.8	84.8	18



Service instructions
 M10: max. 25 Nm
 G1/2: max. 25 Nm

Measuring procedure: Room temperature / Force-height-data quasistatic / Dynamic data at 1 Hz