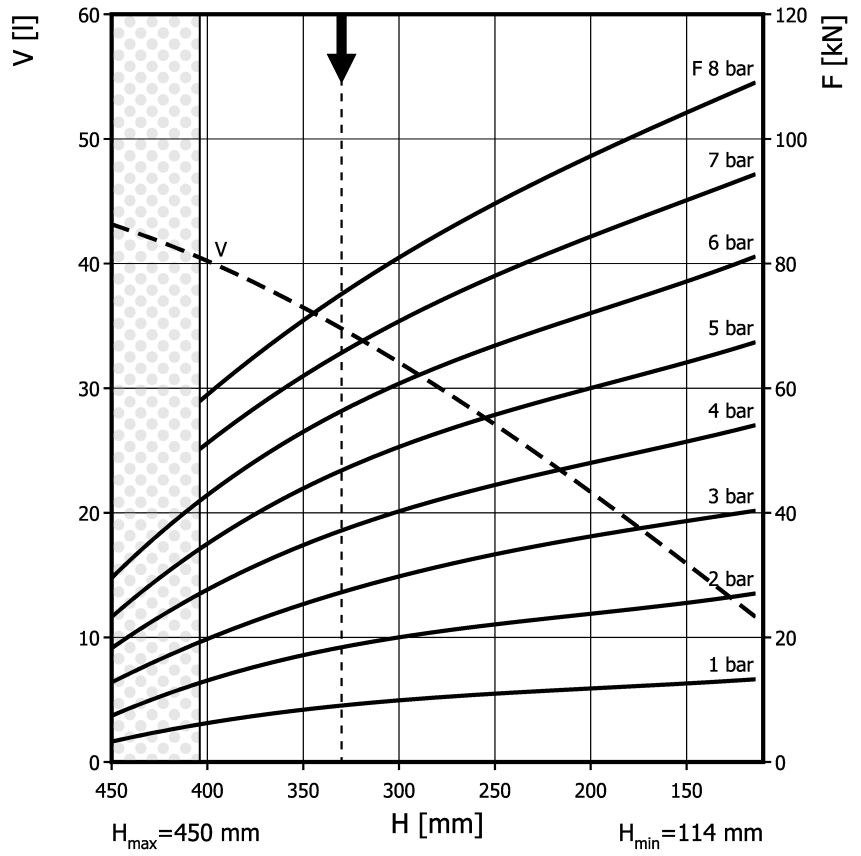
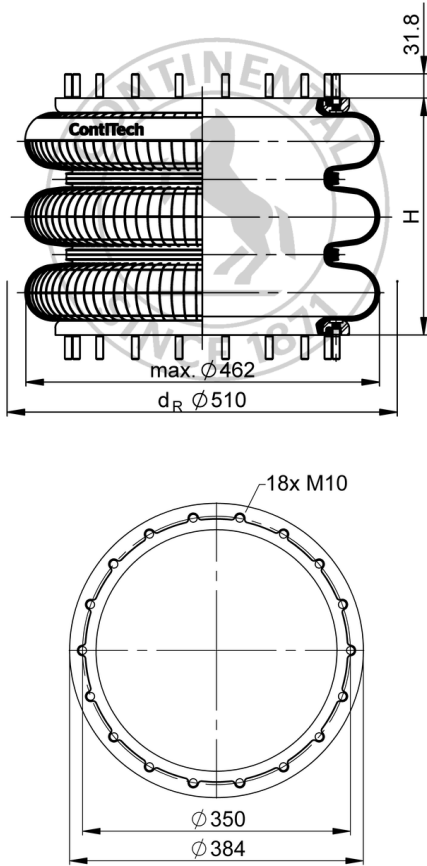


FT 960-34 RS

Triple Convolution Air Actuator



Use in dotted range >404 mm only after consultation with ContiTech
 Recommended height for vibration isolation: 330 mm

Purchase order data

Type	Order No.
Rubber bellows only	61777
with bead rings, 48 mm bolts, nuts and washers	61909

Additional types on request

Technical data

Min. pressure	0 bar
Return force to min height	≤ 600 N
Overall weight	9.3 kg

Vibration isolation - dynamic characteristic values

Design height H: recommended 330mm, minimum 315mm

Pressure p [bar]	3	4	5	6	7	8	Vol. V [l]	
Force (Load) [kN]	27.9	38	46.6	56.8	66.3	73.9		35
Spring rate [N/mm]	218	281	330	401	464	513		
Natural frequency [Hz]	1.4	1.4	1.3	1.3	1.3	1.3		

Pneumatic application - static characteristic values

Force F [kN]

Pressure p [bar]	3	4	5	6	7	8	Vol. V [l]	
Height H [mm]	404	19.2	27.3	34.4	42.1	50.3		40
	360	24.2	33.6	42.1	51	59.8		37
	320	28.3	38	48.3	57.9	67.3		34
	280	31.3	42	52.6	63.3	74		30
	240	33.9	45.1	56.7	68.1	79.6		26
	200	36	47.8	59.8	71.8	83.9		22
	160	38.4	51.3	63.5	76.2	89.1		17



Service instructions
M10: max. 40 Nm

Measuring procedure: Room temperature / Force-height-data quasistatic / Dynamic data at 1 Hz