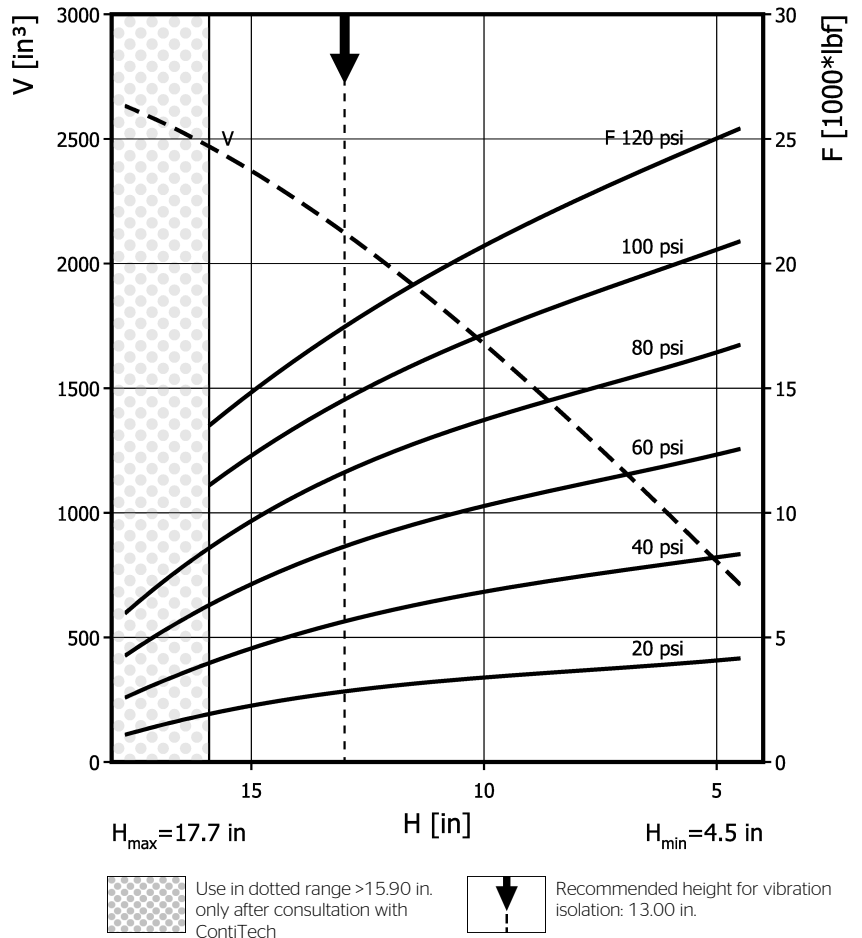
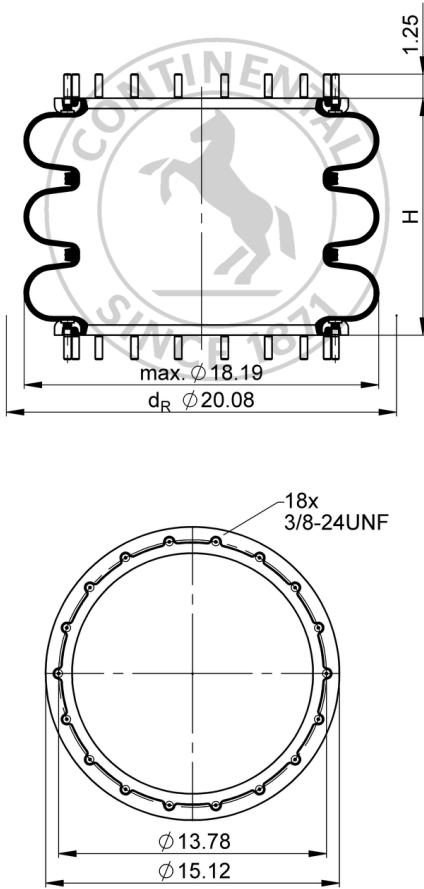


# FT 960-34 RS

# Triple Convolution Air Actuator



Use in dotted range  $>15.90$  in. only after consultation with ContiTech

Recommended height for vibration isolation: 13.00 in.

## Purchase order data | Technical data

|                     |           |
|---------------------|-----------|
| Type                | Order No. |
| Rubber bellows only | 61777     |
| WR SMS48            | 65893     |

|                            |            |     |
|----------------------------|------------|-----|
| Min. pressure              | 0          | psi |
| Return force to min height | $\leq 135$ | lbf |
| Overall weight             | 20.5       | lb  |

Additional types on request

### Vibration isolation - dynamic characteristic values

Design height  $H$ : recommended 13 inch, minimum 12.4 inch

| Pressure $p$      | [psi]     | 40   | 60   | 80    | 100   | 120   | Vol. $V$ [in <sup>3</sup> ] |
|-------------------|-----------|------|------|-------|-------|-------|-----------------------------|
| Force (Load)      | [lbf]     | 5720 | 8810 | 11700 | 14700 | 17100 | 2120                        |
| Spring rate       | [lbf/in.] | 1160 | 1640 | 2090  | 2610  | 3010  |                             |
| Natural frequency | [Hz]      | 1.4  | 1.4  | 1.3   | 1.3   | 1.3   |                             |

### Pneumatic application - static characteristic values

Force  $F$  [lbf]

| Pressure $p$     | [psi] | 40   | 60    | 80    | 100   | 120   | Vol. $V$ [in <sup>3</sup> ] |
|------------------|-------|------|-------|-------|-------|-------|-----------------------------|
| Height $H$ [in.] | 16.5  | 3520 | 5660  | 7750  | 2500  |       |                             |
|                  | 15.0  | 4520 | 7120  | 9600  | 12200 | 14800 | 2400                        |
|                  | 13.5  | 5370 | 8270  | 11100 | 14000 | 16800 | 2200                        |
|                  | 12.0  | 6080 | 9210  | 12400 | 15500 | 18600 | 2000                        |
|                  | 10.5  | 6650 | 10000 | 13400 | 16800 | 20200 | 1800                        |
|                  | 9.0   | 7130 | 10700 | 14300 | 17900 | 21600 | 1500                        |
|                  | 7.5   | 7540 | 11300 | 15100 | 18900 | 22900 | 1200                        |
|                  | 6.0   | 7990 | 12000 | 15900 | 19900 | 24300 | 980                         |



Service instructions  
3/8-24 UNF: max. 30 lbf ft

Measuring procedure: Room temperature / Force-height-data quasistatic / Dynamic data at 1 Hz