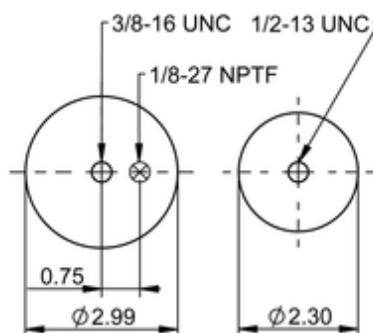
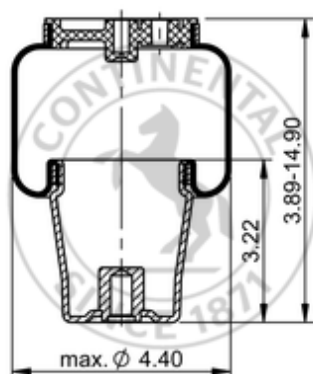







SC29-O073

69927



	1.5 lb
	9313039
	1/2-13 UNC: max. 10 lbf ft
	1/8-27 NPTF: max. 1.5 lbf ft
	3/8-16 UNC: max. 3.5 lbf ft

Cross-reference

Firestone Style	11.00" ORANGE
Firestone No.	W02-358-7073
TRP	AS70730

OE Manufacturer/Reference No.

Manufacturer	Original-part no.	Model
--------------	-------------------	-------