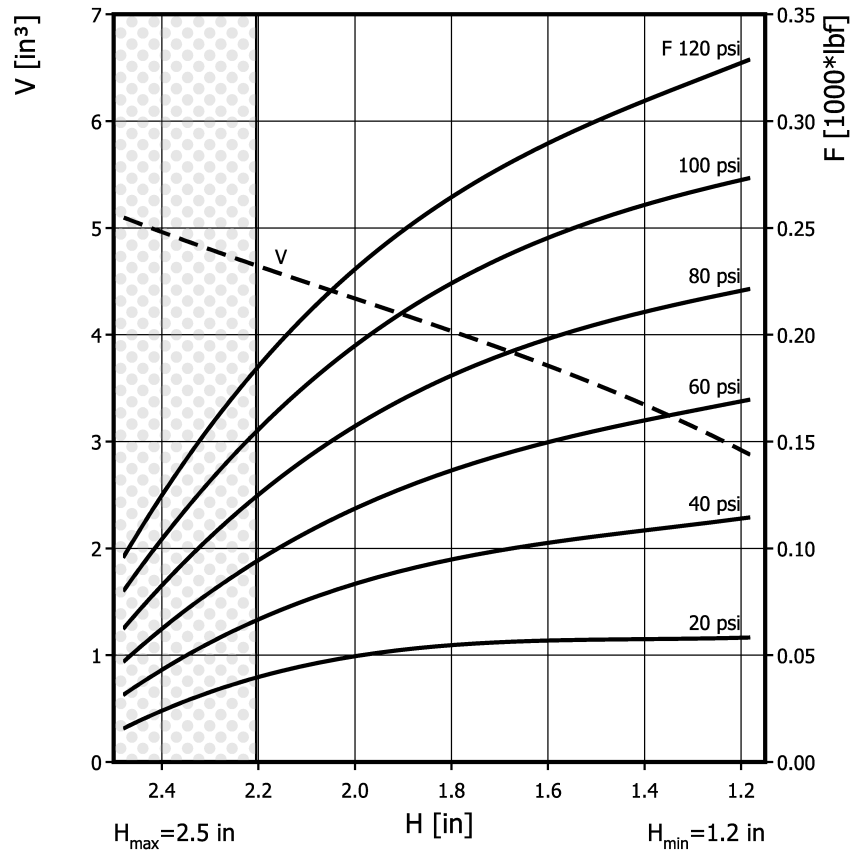
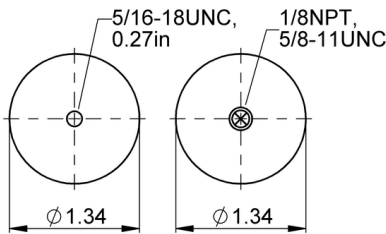
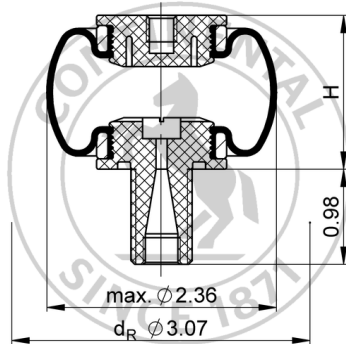


SK 19-4

Sleeve Type Air Actuator



Use in dotted range >2.20 in. only after consultation with ContiTech

Purchase order data

Type	Order No.
with plastic connecting parts, 1/8 NPT air inlet A = 0 in. excentrical	63578

Additional types on request

Technical data

Min. pressure	0 psi
Return force to min height	≤ 10 lbf
Overall weight	0.2 lb

Pneumatic application - static characteristic values

Force F [lbf]							
Pressure p	[psi]	40	60	80	100	120	Vol. V [in.³]
Height H [in.]	2.3	61	86.3	114	143	170	4.7
	2.0	80.6	115	153	190	225	4.3
	1.8	95.5	139	184	228	269	4
	1.5	106	155	204	252	299	3.5



Service instructions
 5/16-18 UNC: max. 4 lbf ft
 5/8-11 UNC: max. 10 lbf ft
 1/8 NPT: Handtight plus one turn

Measuring procedure: Room temperature / Force-height-data quasistatic / Dynamic data at 1 Hz