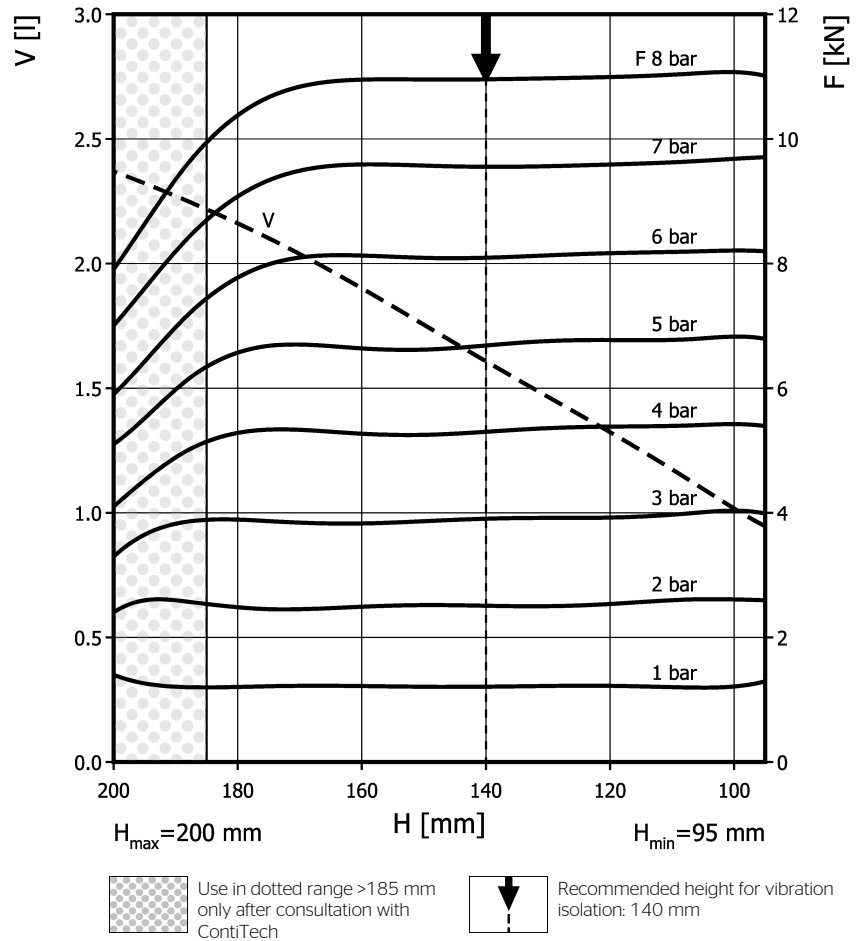
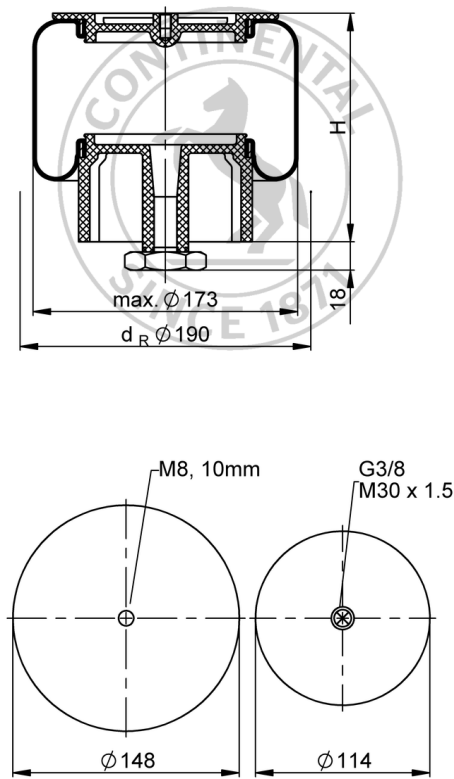


## SZ 140-11

## Sleeve Type Air Actuator



## Purchase order data

Type	Order No.
with plastic connecting parts, G3/8 air inlet A = 0 mm excentrical	2687060000

Additional types on request

## Technical data

Min. pressure	0.9 bar
Return force to min height	≤ 1300 N
Overall weight	1 kg

**Vibration isolation - dynamic characteristic values**

Design height H: recommended 140mm, guidance in lateral direction required

Pressure p [bar]	3	4	5	6	7	8	Vol. V [l]
Force (Load) [kN]	3.9	5.3	6.7	8.1	9.6	10.9	
Spring rate [N/mm]	81	102	124	146	169	192	
Natural frequency [Hz]	2.3	2.2	2.2	2.1	2.1	2.1	

**Pneumatic application - static characteristic values**

Force F [kN]

Pressure p [bar]	3	4	5	6	7	8	Vol. V [l]
Height H [mm]	175	3.9	5.4	6.7	8	9.3	
	160	3.8	5.2	6.6	8.1	9.6	1.9
	145	3.9	5.3	6.7	8.1	9.55	1.7
	130	3.9	5.3	6.7	8.1	9.6	1.5
	115	3.95	5.4	6.75	8.15	9.6	1.3
100	4	5.4	6.8	8.2	9.7	11.1	1



Service instructions  
 M30x1.5: max. 40 Nm  
 M8: max. 5 Nm  
 G3/8: max. 10 Nm

**Measuring procedure:** Room temperature / Force-height-data quasistatic / Dynamic data at 1 Hz