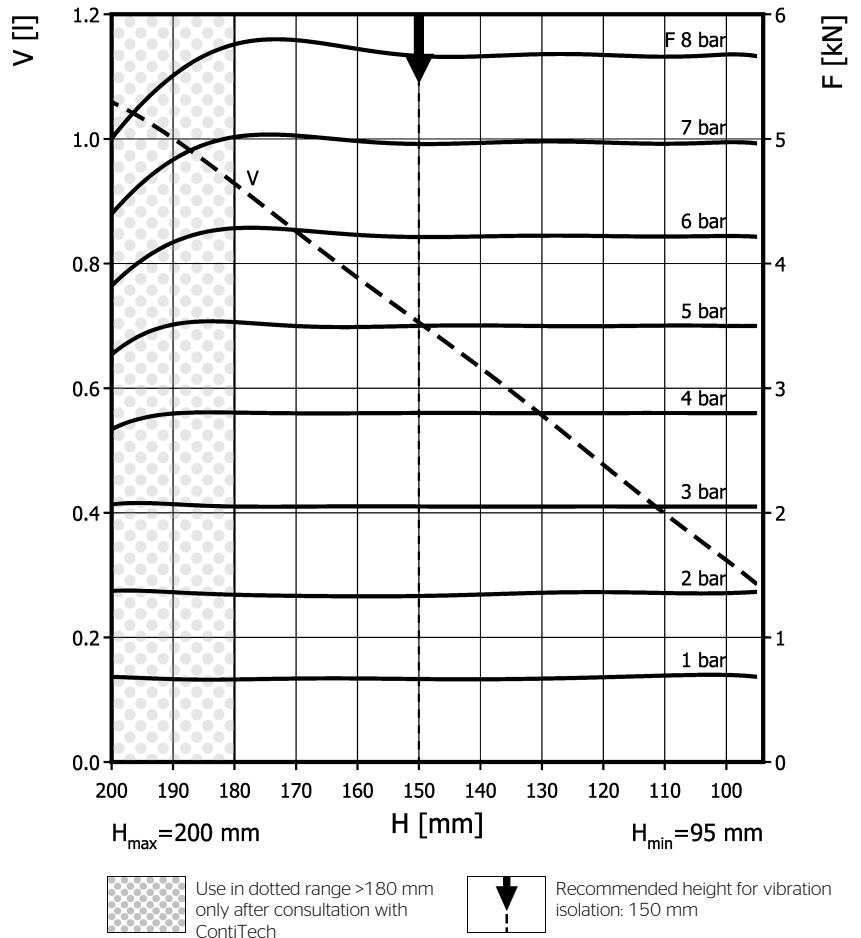
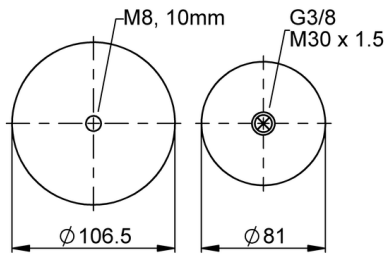
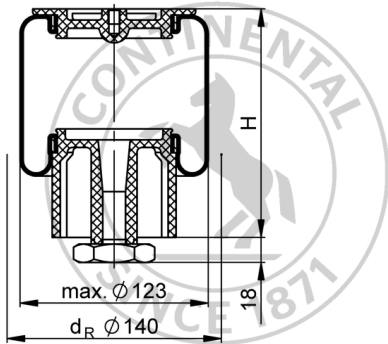


## SZ 70-11

## Sleeve Type Air Actuator



## Purchase order data

Type	Order No.
with plastic connecting parts, G3/8 air inlet A = 0 mm excentrical	2687030000

Additional types on request

## Technical data

Min. pressure	0.9 bar
Return force to min height	≤ 700 N
Overall weight	0.65 kg

**Vibration isolation - dynamic characteristic values**

Design height H: recommended 150mm, guidance in lateral direction required

Pressure p [bar]	3	4	5	6	7	8	Vol. V [l]
Force (Load) [kN]	2	2.8	3.5	4.2	4.9	5.7	
Spring rate [N/mm]	33.5	43.5	53	62.5	72	81.5	
Natural frequency [Hz]	2.1	2.0	2.0	1.9	1.9	1.9	

**Pneumatic application - static characteristic values**

Force F [kN]

Pressure p [bar]	3	4	5	6	7	8	Vol. V [l]	
Height H [mm]	180	2.05	2.8	3.53	4.32	5.05		5.83
	160	2.05	2.8	3.5	4.22	4.97	5.72	0.78
	140	2.05	2.8	3.5	4.22	4.97	5.67	0.64
	120	2.05	2.8	3.5	4.22	4.97	5.67	0.48
	100	2.05	2.8	3.5	4.22	4.97	5.67	0.33



Service instructions  
 M30x1.5: max. 40 Nm  
 M8: max. 5 Nm  
 G3/8: max. 10 Nm

**Measuring procedure:** Room temperature / Force-height-data quasistatic / Dynamic data at 1 Hz