

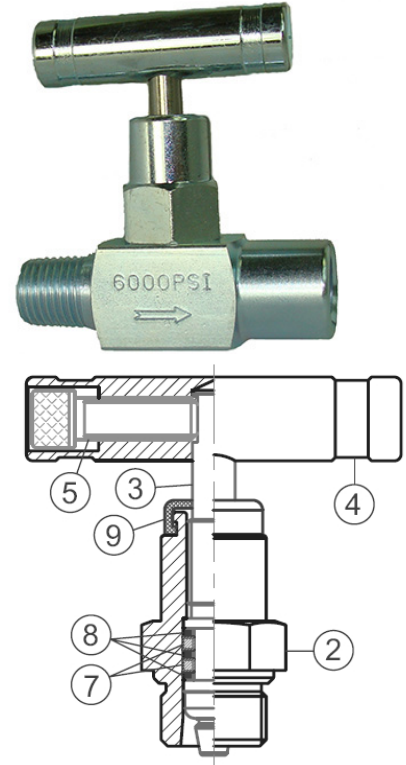
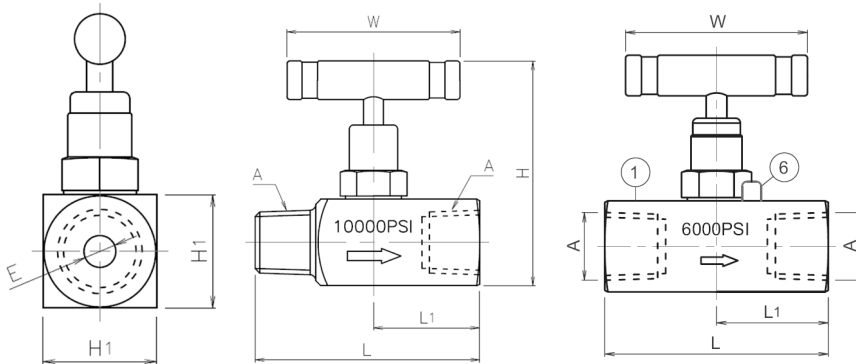
NV-1/4 MINI NEEDLE VALVE



Strong and Durable, Compact Size Needle Valve
Pressures up to 6,000 psi soft seat, 10,000 psi hard seat

SPECIFICATIONS

Series Number	"NV"
Material	Carbon steel or 316 stainless steel See chart below for component materials
Pressure Rating	Soft seat - 6000 psi at 200° F Hard seat - 10,000 psi at 200° F
Connection Size	1/4" NPT, male x female, female x female male x male
Handle	Tee
Seat Material	Soft Seat - POM Hard Seat - Integrated
Box Quantity	60 pieces
Est. Unit Weight	0.40 lb/0.20 kg



Part Number	Unit	A	L	L1	H	H1	E	W
NV-SS-1/4-GS-180-MXF	In.	1/4" NPT	2.28"	1.14"	2.48"	0.75"	0.17"	1.81"
NV-SS-1/4-GS-180-FXF								
NV-SS-1/4-HS-180-MXF								
NV-SS-1/4-HS-180-FXF	mm	19.05	58	29	63	19	4.2	46
NV-CS-1/4-GS-180-MXF								
NV-CS-1/4-GS-180-MXM								
NV-CS-1/4-GS-180-FXF								
NV-CS-1/4-HS-180-MXF								
NV-CS-1/4-HS-180-FXF								

Number	Description	316 Valve	Carbon Steel Valve
1	Body	316 SS	C.S.
2	Bonnet	316 SS	C.S.
3	Stem	316 SS	304 SS
4	Handle	303 SS	C.S.
5	Fixing Screw	302 SS	C.S.
6	Lock Pin	303 SS	C.S.
7	O-Ring	Viton®	Viton®
8	Back-up Ring	PTFE	PTFE
9	Dust Cap	NBR	NBR

All dimensions shown in the catalog are approximate and subject to change.

AVAILABLE OPTIONS*

- High Temperature
- Thumb Wheel Handle
- Panel Mount
- Bleed Screw
- Tube End Connection
- Alternate Connection Sizes

*Lead times/minimums may apply