

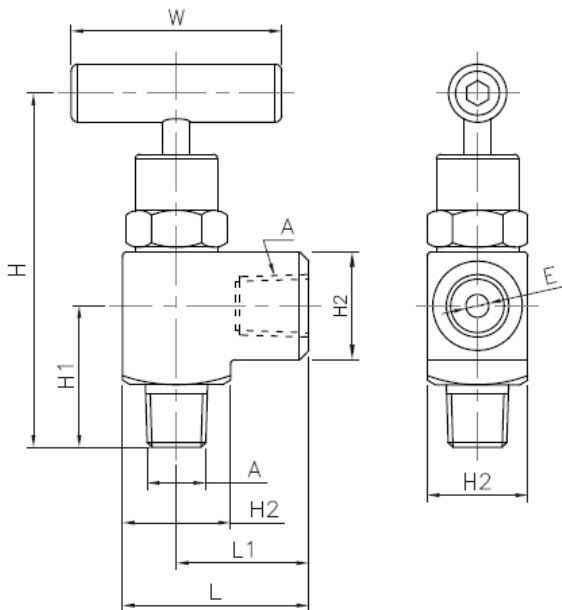
NV-90 ANGLE NEEDLE VALVE



Strong and Durable, Angle Needle Valve
Pressures up to 6,000 psi soft seat, 10,000 psi hard seat

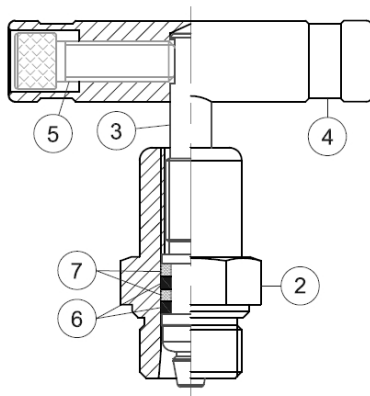
SPECIFICATIONS

Series Number	"NV-90"
Material	Carbon steel or 316 stainless steel See chart below for component materials
Pressure Rating	Soft seat - 6000 psi at 200° F Hard seat - 10,000 psi at 200° F
Connection Size	1/4" or 1/2" NPT male x female, female x female
Handle	Tee
Seat Material	Soft Seat - POM; Hard Seat - Integrated
Box Quantity	1/4": 50 pieces 1/2": 15 pieces
Est. Unit Weight	1/4": 0.55 lb/0.26 kg 1/2": 1.05 lb/0.46 kg



Part Number	Unit	A	L	L1	H	H1
NV-CS-1/4-GS-90-FXF	In.	1/4" NPT	1.60"	1.10"	3.46"	1.26"
NV-CS-1/4-GS-90-MXF	mm		40.7	28	88	32
NV-SS-1/4-GS-90-MXF						
NV-CS-1/4-HS-90-FXF						
NV-CS-1/4-HS-90-MXF						
NV-SS-1/4-HS-90-MXF						
NV-CS-1/2-GS-90-FXF	In.	1/2" NPT	1.81"	1.54"	4.09"	1.54"
NV-CS-1/2-GS-90-MXF	mm		46	39	104	39
NV-SS-1/2-GS-90-MXF						
NV-CS-1/2-HS-90-FXF						
NV-CS-1/2-HS-90-MXF						
NV-SS-1/2-HS-90-MXF						

Part Number (Cont'd)	Unit	A	H2	E	W
NV-CS-1/4-GS-90-FXF	In.	1/4" NPT	0.87"	0.13"	1.81"
NV-CS-1/4-GS-90-MXF	mm		22	3.3	46
NV-SS-1/4-GS-90-MXF					
NV-CS-1/4-HS-90-FXF					
NV-CS-1/4-HS-90-MXF					
NV-SS-1/4-HS-90-MXF					
NV-CS-1/2-GS-90-FXF	In.	1/2" NPT	0.79"	1.26"	2.24"
NV-CS-1/2-GS-90-MXF	mm		32	32	57
NV-SS-1/2-GS-90-MXF					
NV-CS-1/2-HS-90-FXF					
NV-CS-1/2-HS-90-MXF					
NV-SS-1/2-HS-90-MXF					



Number	Description	316 Valve	Carbon Steel Valve
1	Body	316 SS	C.S.
2	Bonnet	316 SS	C.S.
3	Stem	316 SS	304 SS
4	Handle	303 SS	C.S.
5	Fixing Screw	302 SS	C.S.
6	O-Ring	Viton®	Viton®
7	Back-Up Ring	PTFE	PTFE

All dimensions shown in the catalog are approximate and subject to change.

AVAILABLE OPTIONS*

- High Temperature
- Panel Mount
- Bleed Screw
- Tube End Connection
- Alternate Connection Sizes

*Lead times/minimums may apply